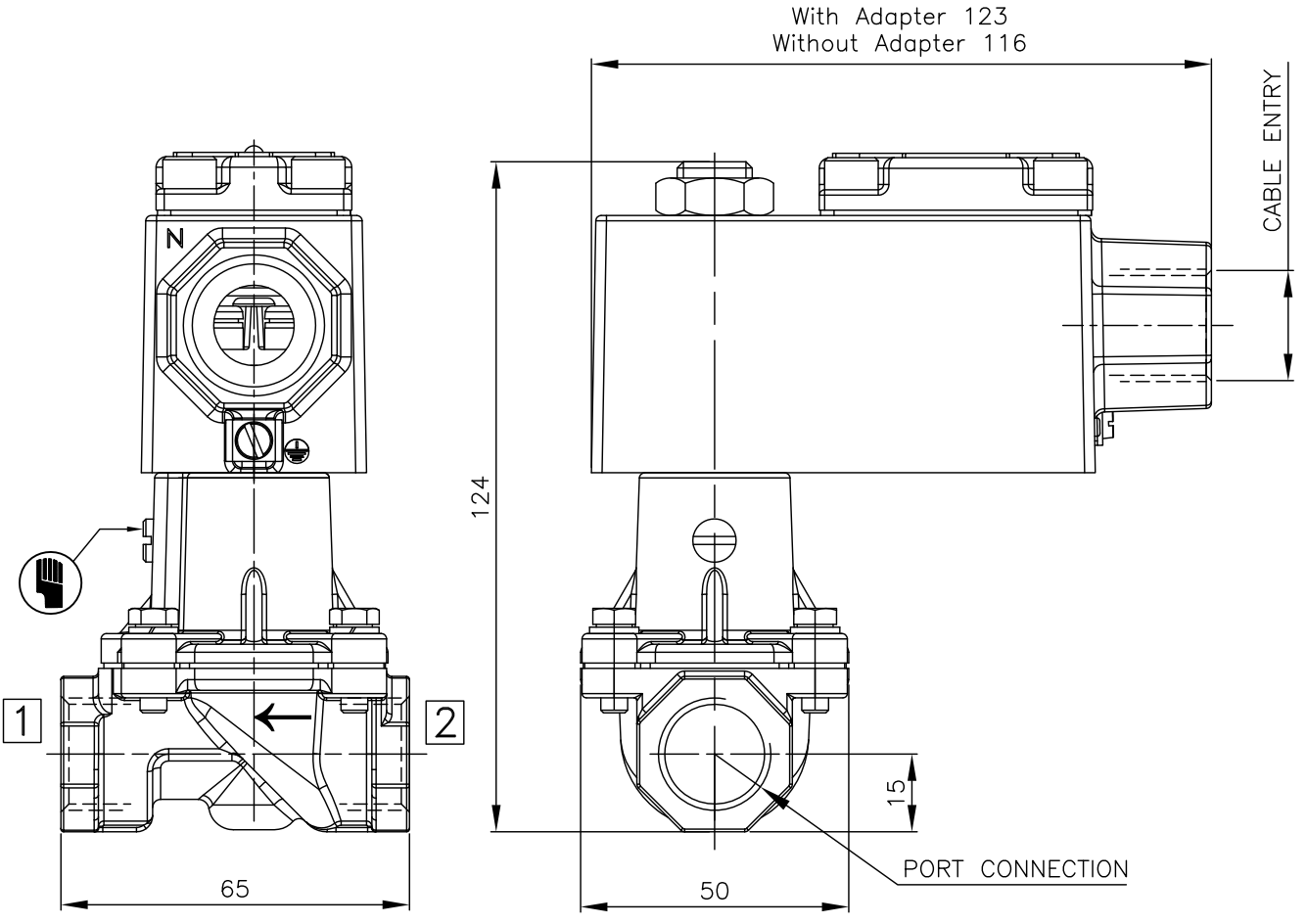
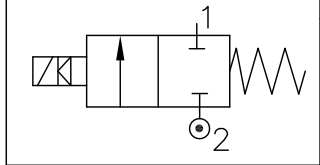


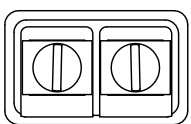
ALL DIMENSIONS ARE IN mm



MA PROVIDED OPTIONALLY

CONNECTION

	1	2
NC	OUTLET	INLET



CABLE TERMINATION DETAIL

0	ORIGINAL	M.Jayshree	08-09-15	V. Sagar	P. Shital	09-09-15
REV	DESCRIPTION	DRAWN BY	DRAWN DATE	CHECKED BY	APPVD BY	APPVD DATE

GA DRAWING OF 24101/24102/24103-12-4R/4G-HCE

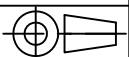
REV:- 0



ROTEX AUTOMATION LIMITED
987/11, G.I.D.C., MAKARPURA,
VADODARA-390 010, INDIA

DRG.No.: 030-H1

SHEET 1 OF 1



n.t.m.±3

CAD REF:-