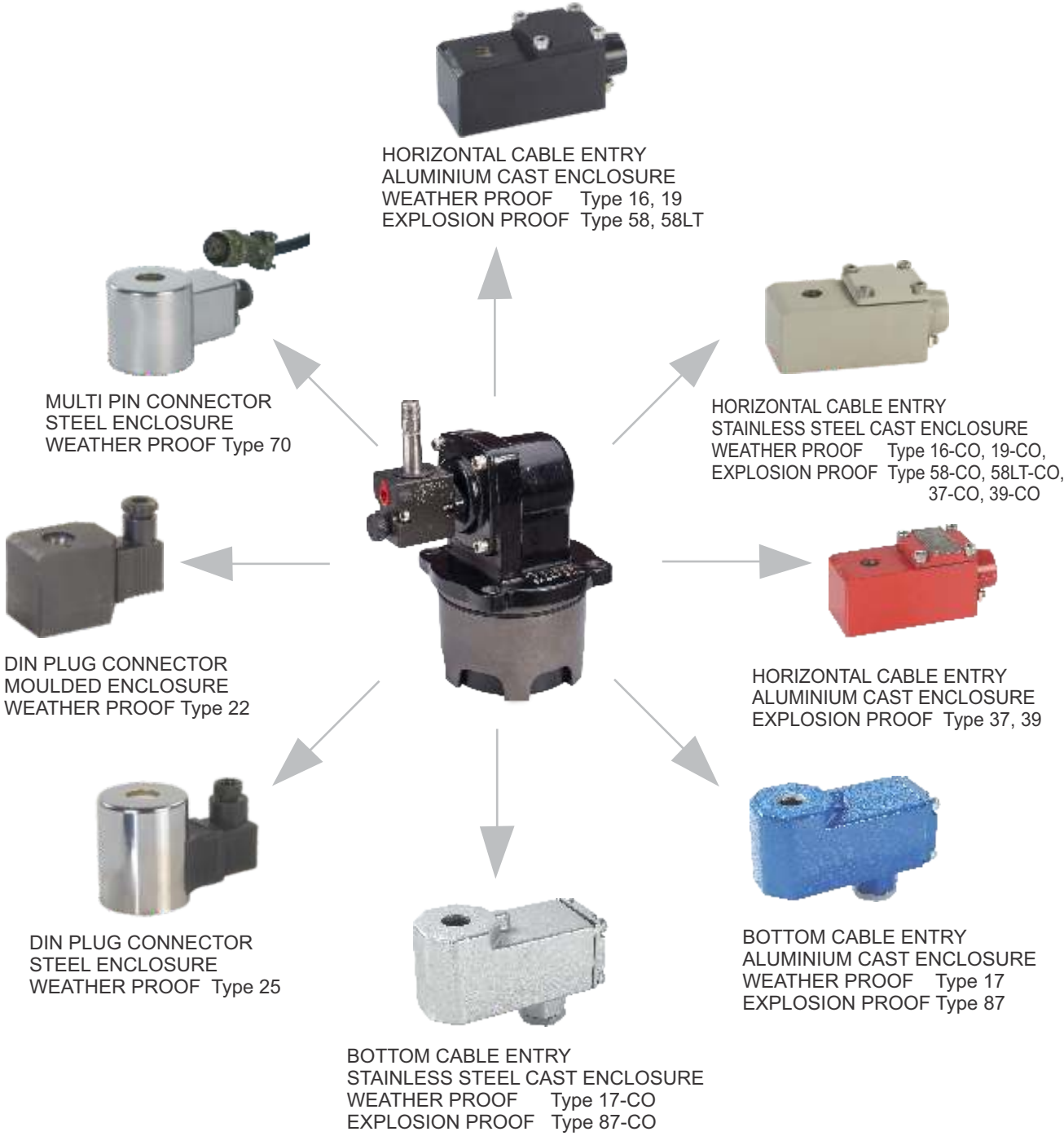


PISTON OPERATED PULSE JET SOLENOID VALVE

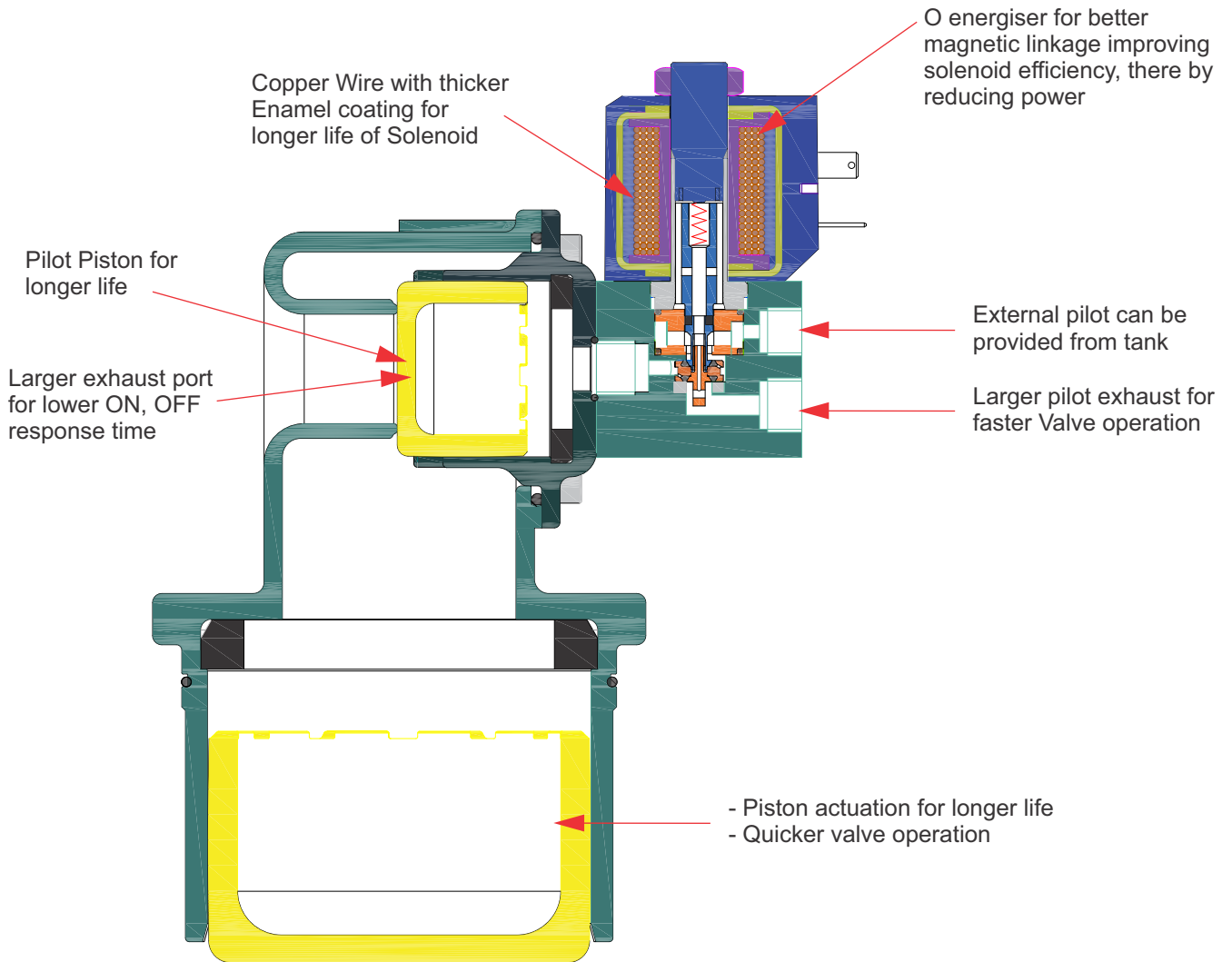


**Interchangeable across
Voltage/ Current range without
affecting performance of the Valve**

PISTON OPERATED PULSE JET SOLENOID VALVE

FEATURES

- Vibration resistance upto 9g
- Life > 10 million cycle
- Lower solenoid power
- High flow factor for effective cleaning
- Ideally suitable for dusty environment
- Lower Air consumption/ pulse
- Lower decibel noise level



WEIGHT IN kg. (Appx.)

Valve

Vale Type	AI
21131	2.4
3755	3.5

Solenoid

Type	Size	
22	I	0.25
25	III	0.40

VOLTAGE VARIATION

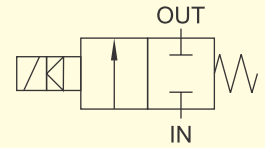
(For Continuous Duty)

Rated Voltage	Operating Voltage
24V	19.2V to 28.8V
110V to 120V	88V to 132V
220V/ 230V/ 240V	176V to 264V

Type	Size	Enclosure Aluminium
16, 19, 37, 39, 58, 58LT	I	0.55
	III	0.60
17, 87	III	0.90

PISTON OPERATED PULSE JET SOLENOID VALVE

TYPE	PRESSURE
21131	1 - 6 bar
3755	1 - 6 bar



WETTED PARTS

Code	※
Body	Aluminium Cast
Internal	Aluminium, Brass and SS316
Guide	SS304
Shadow ring	None
Plunger, Insert	SS430
Spring	SS302
Fastner	SS304
Piston , Seal	Nylon, NBR



PESO



APPLICATION

Bag filter

SPARES

SPARE KIT	CODE
Repair kit: All components except Body, Cover and solenoid	99
Solenoid kit: Solenoid, Nut and Gasket	34

POWER

Size	Type	Power
21131	I/ III	8W
3755		

PORT CONNECTION

VALVE TYPE	MODE	INLET	OUTLET
21131, 3755	NC	IN	OUT

Contact Rotex for
• Any other Temperature Range, Media and Application

PISTON OPERATED PULSE JET SOLENOID VALVE

SPECIFICATION

VALVE		SOLENOID	
Valve Type	Piston Operated Pulse Jet Solenoid Valve	Voltage-Current	DC 24V
Body material	Aluminium Cast		AC/DC (50HZ/ 60Hz/ DC) 110V, 120V, 230V, 240V
Port connection	Subbase	Power	8 Watt
Orifice	80mm	Protection	Weather proof IP67 Explosion proof Ex d, Ex e mb IIC T6/T5/T4 IP67
Piston, Seal	Nylon, NBR	Cable Entry	PG9 / M20X1.5/ ½" NPT/ M25X1.5
Manual Override	Without Manual Override		
Flow factor (Orifice - kv / Kv/ Cv)	2800 / 168/ 196		
Media	Air, Inert Gases		
Ambient, Fluid Temperature	-25 °C to 75 °C		
Response ON /OFF	≤ 100ms		
Pressure	1 - 6 bar		

ORDERING CODE Solenoid Valve (Valve Code + Solenoid Code)

VALVE TYPE 21131	-	SIL *	-	ORIFICE 80	-	PORT CONNECTION 24SB	-	BODY INTERNAL *	-	MANUAL OVERRIDE *	-	SEAL S24
27 MEDIA *	-	ACCESSORIES VALVE, PORT *	+	SIZE III	-	VOLTAGE, CURRENT 24V DC	-	ENCLOSURE 37	-	ENCLOSURE MATERIAL *	-	
SPECIAL SS	-	POWER *	-	INSULATION H	-	APPROVAL 01	-	SIL *	-	ACCESSORIES SOLENOID B4	-	

ORDERING CODE Valve Spare Kit

SPARE KIT 99	-	VALVE TYPE 21131	-	SIL *	-	ORIFICE 80	-	PORT CONNECTION 24SB	-	BODY INTERNAL *	-	MANUAL OVERRIDE *
SEAL S24	-	27 MEDIA *	-	ACCESSORIES VALVE, PORT *	-		-		-		-	

ORDERING CODE Spare Solenoid

SOLENOID KIT 34	-	SIZE III	-	VOLTAGE, CURRENT 24V DC	-	ENCLOSURE 37	-	ENCLOSURE MATERIAL *	-	SPECIAL SS	-	
POWER *	-	INSULATION H	-	APPROVAL 01	-	SIL *	-	ACCESSORIES SOLENOID B4	-		-	

VALVE TYPE-ORIFICE		SIL		PORT CONNECTION	
CODE	DESCRIPTION	CODE	DESCRIPTION	CODE	DESCRIPTION
21131-80	1 - 6 bar	*	Nil	24SB	Subbase
3755-80	1 - 6 bar				

BODY MATERIAL		MANUAL OVERRIDE		SEAL (PISTON, SEAL)		27 MEDIA	
CODE	DESCRIPTION	CODE	DESCRIPTION	CODE	DESCRIPTION	CODE	DESCRIPTION
1 *	Aluminium Cast	1 *	Nil	S24	Nylon, NBR	1 *	Air, Inert Gas

PISTON OPERATED PULSE JET SOLENOID VALVE

SIZE - VOLTAGE - CURRENT		
CODE	SIZE	COIL VOLTAGE
I-24V-DC	I	24V DC
III-24V-DC	III	24V DC
III-110V-AC/DC	III	② 110V 50Hz/ 60Hz / DC, 120V 50Hz/ 60Hz / DC
III-230V-AC/DC	III	② 220V 50Hz/ 60Hz / DC, 240V 50Hz/ 60Hz / DC

ENCLOSURE TYPE	
CODE	DESCRIPTION
WEATHER PROOF	
④ 22	DIN Plug Solenoid, IP 67, Cable Entry Pg9, as per DIN 43650B, Size I
⑤ 25	DIN Plug Solenoid, IP 67, Cable Entry Pg9, as per DIN 43650A, Size III
16	Integrated Terminal box, IP 67, 1/2" NPT, -40 °C to 100 °C
19	Integrated Terminal box, IP 67, M20 X 1.5, -40 °C to 100 °C
17	Integrated Terminal Box, IP 67, Bottom Cable entry M25X1.5, Size III, Insulation Class H
17-NS	Integrated Terminal Box, IP 67, Bottom Cable entry 1/2" NPT, Size III, Insulation Class H
EXPLOSION PROOF Ex d (For Gas & Dust)	
⑬ 37	Ex d IIC IP66, -40 °C TO 60 °C, 1/2" NPT
⑬ 39	Ex d IIC IP66, -40 °C TO 60 °C, M20 X 1.5
87	Ex d IIC IP67, -60 °C TO 100 °C, Bottom Cable entry M25 X 1.5, Size III
87-MS	Ex d IIC IP67, -60 °C TO 100 °C, Bottom Cable entry M20 X 1.5, Size III
87-NS	Ex d IIC IP67, -60 °C TO 100 °C, Bottom Cable entry 1/2" NPT, Size III
EXPLOSION PROOF Ex e mb (For Gas & Dust)	
58	Ex e mb IIC, IP67, -40 °C TO 70 °C, M25 X 1.5
58-MS	Ex e mb IIC, IP67, -40 °C TO 70 °C, M20 X 1.5
58-NS	Ex e mb IIC, IP67, -40 °C TO 70 °C, 1/2" NPT
58-LT	Ex e mb IIC, IP67, -60 °C TO 70 °C, M25 X 1.5
58-LT-MS	Ex e mb IIC, IP67, -60 °C TO 70 °C, M20 X 1.5
58-LT-NS	Ex e mb IIC, IP67, -60 °C TO 70 °C, 1/2" NPT

ENCLOSURE MATERIAL	
CODE	DESCRIPTION
① ✕	Aluminium Cast Epoxy Powder Coated

SPECIAL	
CODE	DESCRIPTION
① ✕	Nil
⑦ FR	Full Rectifier with Surge Suppressor, Size III
⑤ RC	Half Rectifier with Surge Suppressor, Size III
④ ⑧ SS	Surge Suppressor, Size III
②⑧ LD	LED, Size III

POWER								
CODE	SIZE	POWER WATT	24V DC		110V AC/ DC		230V AC/ DC	
			24V DC	✓	④ 110V 50Hz/ ④ 60Hz/ DC	④ 120V 50Hz/ ④ 60Hz/ DC	④ 220V 50Hz/ ④ 60Hz/ DC	④ 240V 50Hz/ ④ 60Hz/ DC
① ✕	I	8.0	✓					
	III	8.0	✓	✓		✓		
		9.0			✓		✓	✓

INSULATION	
CODE	DESCRIPTION
① ✕	CLASS F
H	CLASS H

PISTON OPERATED PULSE JET SOLENOID VALVE

APPROVAL		⑨ ENCLOSURE TYPE					
CODE	DESCRIPTION	17	37	39	58	58LT	87
① ⑮ ✖	CCOE/ PESO + BIS, Insulation Class H		✓	✓			✓
01	CE - ATEX, Insulation Class H		✓	✓	✓	✓	
01	IEC Ex + ATEX, Insulation Class H						✓
01B	INDIAN + ATEX, Insulation Class H		✓	✓			✓
02	UL Recognised, for USA and Canada, Type 3, 3S, 4, 4X, 6, 6P UL file Number E 342217	✓					
03	INMETRO + ATEX, Insulation Class H		✓	✓			✓
03C	IEC Ex + ATEX + IN METRO + CuTR-EAC						✓
03U	IEC Ex + ATEX + IN METRO + UL (Type 3, 3S, 4, 4X, 6, 6P)	✓					
04	CuTR- EAC + ATEX , Insulation Class H		✓	✓			✓
04U	IEC Ex + ATEX + CuTR + UL (Type 3, 3S, 4, 4X, 6, 6P)	✓					
08	Ukraine, Insulation Class H						✓
⑮ MN	DGMS+CCOE/ PESO + BIS, Insulation Class H		✓	✓			✓
⑳ CE	CE (Weatherproof Solenoid)	✓					

SIL	
CODE	DESCRIPTION
✖	Nil

Note :

- ① Do not specify when opted for
- ② Opt for FR option
- ④ Current DC
- ⑤ Opt RC for Solenoid 25, current 50Hz/60Hz
- ⑦ Do not opt for enclosure type 22 & 25
- ⑧ Do not opt for enclosure type 22
- ⑨ All variation of 17, 37, 39, 58, 58LT & 87 included
- ⑭ Select Nil or one accessories from B1 to B8 for solenoid
- ⑮ IP67 certified by BIS, CCOE/ PESO
- ⑳ Can be opted for enclosure type 01, 06, 16, 19, 22, 25
- ㉓ Media shall not be part of ordering code but it will be printed separately on valve.
- ㉔ Can be opted for solenoid 22, Size I

PISTON OPERATED PULSE JET SOLENOID VALVE

MARKING Explosion Proof

ENCLOSURE TYPE 37/ 39

SIZE	Power	BIS & PESO, DGMS	EAC - CuTR (Russia)	ATEX / INMETRO
I II IV	≤5W ≤8W ≤11W	Ex d IIC T6/T5 Gb, IP67 Ex tb IIIC T80°C/T95°C Db -40°C ≤ Ta ≤ 65°C FOR T6 -40°C ≤ Ta ≤ 70°C FOR T5	1 Ex d IIC T6/ T5/ T4 Gb IP66 Ex tb IIIC T80°C / T95°C / T130°C Db IP66 ИЛИ -40°C ≤ Ta ≤ 35°C FOR T6 -40°C ≤ Ta ≤ 50°C FOR T5 -40°C ≤ Ta ≤ 60°C FOR T4	Ex d IIC T6/ T5/ T4 Gb IP66 Ex tb IIIC T80°C / T95°C / T130°C Db IP66 -40°C ≤ Ta ≤ 35°C FOR T6 -40°C ≤ Ta ≤ 50°C FOR T5 -40°C ≤ Ta ≤ 60°C FOR T4 (Power ≤ 20W)
I II III	≤8W ≤13W ≤8W	Ex d IIC T6/T5 Gb, IP67 Ex tb IIIC T80°C/T95°C Db -40°C ≤ Ta ≤ 60°C FOR T6 -40°C ≤ Ta ≤ 70°C FOR T5		
III	≤15W	Ex d IIC T6/T5/T4 ≤Gb, IP67 Ex tb IIIC T80°C/T95°C/T130°C Db -40°C ≤ Ta ≤ 50°C FOR T6 -40°C ≤ Ta ≤ 65°C FOR T5 -40°C ≤ Ta ≤ 70°C FOR T4		
III IV	≤5W ≤5W	Ex d IIC T6 Gb, IP67 Ex tb IIIC T80°C Db -40°C ≤ Ta ≤ 70°C FOR T6		
II	≤20W	Ex d IIC T6/T5 Gb, IP67 Ex tb IIIC T80°C / T95°C Db -40°C ≤ Ta ≤ 55°C FOR T6 -40°C ≤ Ta ≤ 70°C FOR T5		
II	≤30W	Ex d IIC T6/T5/T4 Gb, IP67 Ex tb IIIC T80°C/T95°C/ T130°C Db -40°C ≤ Ta ≤ 40°C FOR T6 -40°C ≤ Ta ≤ 55°C FOR T5 -40°C ≤ Ta ≤ 70°C FOR T4		

ENCLOSURE TYPE 87

SIZE	Power	ATEX, IEC Ex, BIS & PESO, DGMS	INMETRO	EAC - CuTR (Russia) / UKRANE	KOSHA
III II IV	≤5W ≤8W ≤11W	Ex d IIC T6/T5/T4 Gb IP67 Ex t IIIC T80°C/T95°C/T130°C Db IP67 -60°C ≤ Ta ≤ +65°C for T6 -60°C ≤ Ta ≤ +80°C for T5 -60°C ≤ Ta ≤ +100°C for T4	Ex d IIC T6/T5/T4 Gb Ex t IIIC T85°C/T100°C/T135°C Db IP67 -60°C ≤ Ta ≤ +65°C for T6 -60°C ≤ Ta ≤ +80°C for T5 -60°C ≤ Ta ≤ +100°C for T4	1 Ex d IIC T6/T5/T4 Gb IP67 Ex tb IIIC T80°C/T95°C/T130°C Db ИЛИ -60°C ≤ Ta ≤ +65°C for T6 -60°C ≤ Ta ≤ +80°C for T5 -60°C ≤ Ta ≤ +100°C for T4	형식 또는 모델명 : 87, BCE 규격 또는 등급 : Ex d IIC T3-T6 제조자명 : Rotex Automation Limited 안전인증 번호 : 15-AV4BO-0000
III II	≤8W ≤13W	Ex d IIC T6/T5/T4 Gb IP67 Ex t IIIC T80°C/T95°C/T130°C Db IP67 -60°C ≤ Ta ≤ +60°C for T6 -60°C ≤ Ta ≤ +75°C for T5 -60°C ≤ Ta ≤ +100°C for T4	Ex d IIC T6/T5/T4 Gb Ex t IIIC T85°C/T100°C/T135°C Db IP67 -60°C ≤ Ta ≤ +60°C for T6 -60°C ≤ Ta ≤ +75°C for T5 -60°C ≤ Ta ≤ +100°C for T4	1 Ex d IIC T6/T5/T4 Gb IP67 Ex tb IIIC T80°C/T95°C/T130°C Db ИЛИ -60°C ≤ Ta ≤ +60°C for T6 -60°C ≤ Ta ≤ +75°C for T5 -60°C ≤ Ta ≤ +100°C for T4	
III	≤15W	Ex d IIC T6/T5/T4 Gb IP67 Ex t IIIC T80°C/T95°C/T130°C Db IP67 -60°C ≤ Ta ≤ +50°C for T6 -60°C ≤ Ta ≤ +65°C for T5 -60°C ≤ Ta ≤ +100°C for T4	Ex d IIC T6/T5/T4 Gb Ex t IIIC T85°C/T100°C/T135°C Db IP67 -60°C ≤ Ta ≤ +50°C for T6 -60°C ≤ Ta ≤ +65°C for T5 -60°C ≤ Ta ≤ +100°C for T4	1 Ex d IIC T6/T5/T4 Gb IP67 Ex tb IIIC T80°C/T95°C/T130°C Db ИЛИ -60°C ≤ Ta ≤ +50°C for T6 -60°C ≤ Ta ≤ +65°C for T5 -60°C ≤ Ta ≤ +100°C for T4	
IV	≤5W	Ex d IIC T6/T5/T4 Gb IP67 Ex t IIIC T80°C/T95°C/T130°C Db IP67 -60°C ≤ Ta ≤ +70°C for T6 -60°C ≤ Ta ≤ +85°C for T5 -60°C ≤ Ta ≤ +100°C for T4	Ex d IIC T6/T5/T4 Gb Ex t IIIC T85°C/T100°C/T135°C Db IP67 -60°C ≤ Ta ≤ +70°C for T6 -60°C ≤ Ta ≤ +85°C for T5 -60°C ≤ Ta ≤ +100°C for T4	1 Ex d IIC T6/T5/T4 Gb IP67 Ex tb IIIC T80°C/T95°C/T130°C Db ИЛИ -60°C ≤ Ta ≤ +70°C for T6 -60°C ≤ Ta ≤ +85°C for T5 -60°C ≤ Ta ≤ +100°C for T4	
III II	≤20W	Ex d IIC T5/T4/T3 Gb IP67 Ex IIIC T95°C/T130°C/155°C Db IP67 -60°C ≤ Ta ≤ +45°C for T5 -60°C ≤ Ta ≤ +80°C for T4 -60°C ≤ Ta ≤ +100°C for T3	Ex d IIC T5/T4/T3 Gb Ex IIIC T100°C/T135°C/155°C Db IP67 -60°C ≤ Ta ≤ +45°C for T5 -60°C ≤ Ta ≤ +80°C for T4 -60°C ≤ Ta ≤ +100°C for T3	1 Ex d IIC T5/T4/T3 Gb IP67 Ex tb IIIC T95°C/T130°C/T155°C Db ИЛИ -60°C ≤ Ta ≤ +45°C for T5 -60°C ≤ Ta ≤ +80°C for T4 -60°C ≤ Ta ≤ +100°C for T3	
II	≤30W	Ex d IIC T4/T3 Gb IP67 Ex IIIC T130°C/T155°C Db IP67 -60°C ≤ Ta ≤ +60°C for T4 -60°C ≤ Ta ≤ +70°C for T3	Ex d IIC T4/T3 Gb Ex IIIC T135°C/T155°C Db IP67 -60°C ≤ Ta ≤ +60°C for T4 -60°C ≤ Ta ≤ +70°C for T3	1 Ex d IIC T4/T3 Gb IP67 Ex tb IIIC T130°C/T155°C Db ИЛИ -60°C ≤ Ta ≤ +60°C for T4 -60°C ≤ Ta ≤ +70°C for T3	

PISTON OPERATED PULSE JET SOLENOID VALVE

MARKING Explosion Proof

ENCLOSURE TYPE 58

SIZE	Power	CE-ATEX, Insulation H
I II IV	≤5W ≤8W ≤11W	Ex e mb IIC T6/ T5 IP67 Ex tb IIIC T6/ T5 IP67 -40° C ≤ Ta ≤ 65° C for T6 -40° C ≤ Ta ≤ 70° C for T5
I II III	≤8W ≤13W ≤8W	Ex e mb IIC T6/ T5 IP67 Ex tb IIIC T6/ T5 IP67 -40° C ≤ Ta ≤ 60° C for T6 -40° C ≤ Ta ≤ 70° C for T5
III	≤15W	Ex e mb IIC T6/ T5/ T4 IP67 Ex tb IIIC T6/ T5/ T4 IP67 -40° C ≤ Ta ≤ 50° C for T6 -40° C ≤ Ta ≤ 65° C for T5 -40° C ≤ Ta ≤ 70° C for T4
III IV	≤5W ≤5W	Ex e mb IIC T6 IP67 Ex tb IIIC T6 IP67 -40° C ≤ Ta ≤ 70° C for T6
II	≤20W	Ex e mb IIC T6/ T5 IP67 Ex tb IIIC T6/ T5 IP67 -40° C ≤ Ta ≤ 55° C for T6 -40° C ≤ Ta ≤ 70° C for T5
II	≤30W	Ex e mb IIC T6/ T5/ T4 IP67 Ex tb IIIC T6/ T5/ T4 IP67 -40° C ≤ Ta ≤ 40° C for T6 -40° C ≤ Ta ≤ 55° C for T5 -40° C ≤ Ta ≤ 70° C for T4

ENCLOSURE TYPE 58LT



SIZE	Power	CE-ATEX, Insulation H
I II IV	≤5W ≤8W ≤11W	Ex e mb IIC T6/ T5 IP67 Ex tb IIIC T6/ T5 IP67 -60° C ≤ Ta ≤ 65° C for T6 -60° C ≤ Ta ≤ 70° C for T5
I II III	≤8W ≤13W ≤8W	Ex e mb IIC T6/ T5 IP67 Ex tb IIIC T6/ T5 IP67 -60° C ≤ Ta ≤ 60° C for T6 -60° C ≤ Ta ≤ 70° C for T5
III	≤15W	Ex e mb IIC T6/ T5/ T4 IP67 Ex tb IIIC T6/ T5/ T4 IP67 -60° C ≤ Ta ≤ 50° C for T6 -60° C ≤ Ta ≤ 65° C for T5 -60° C ≤ Ta ≤ 70° C for T4
III IV	≤5W ≤5W	Ex e mb IIC T6 IP67 Ex tb IIIC T6 IP67 -60° C ≤ Ta ≤ 70° C for T6
II	≤20W	Ex e mb IIC T6/ T5 IP67 Ex tb IIIC T6/ T5 IP67 -60° C ≤ Ta ≤ 55° C for T6 -60° C ≤ Ta ≤ 70° C for T5
II	≤30W	Ex e mb IIC T6/ T5/ T4 IP67 Ex tb IIIC T6/ T5/ T4 IP67 -60° C ≤ Ta ≤ 40° C for T6 -60° C ≤ Ta ≤ 55° C for T5 -60° C ≤ Ta ≤ 70° C for T4

MARKING Weather Proof

ENCLOSURE TYPE 17

US & Canada (UL Recognised)
TYPE 3, 3R, 3S, 4, 4X, 6 & 6P -60°C to +100°C POWER ≤ 20W -60°C to +60°C 20W < POWER ≤ 30W

PISTON OPERATED PULSE JET SOLENOID VALVE

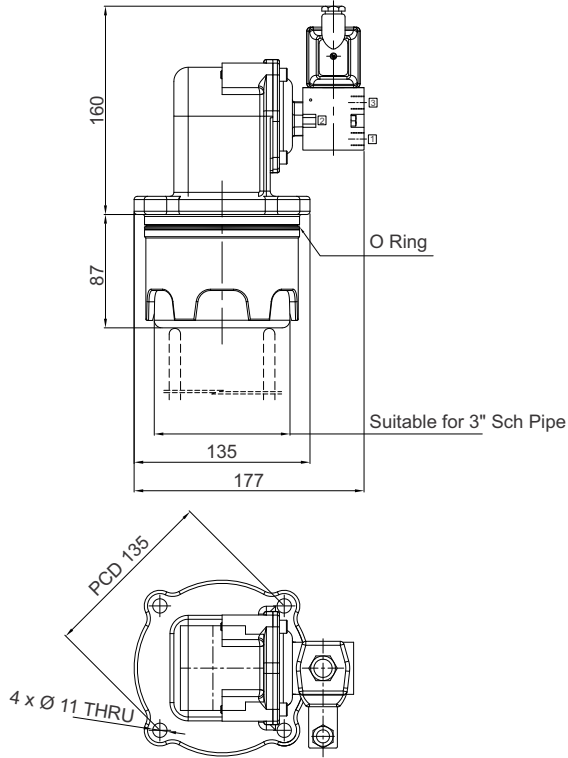
14 ACCESSORIES		
	CODE	DESCRIPTION
	①*	NIL
	B1	Weather Proof Cable Gland M20X1.5(M) Brass
	B5	ATEX Approved Cable Gland (Plastic) M20X1.5(M) (Ambient Temperature - 20 °C to 80 °C)
	B6	ATEX Approved Cable Gland (BRASS) M20X1.5(M) (Ambient Temperature - 20 °C to 80 °C)
	B7	ATEX Approved Cable Gland (SS316) M20X1.5(M) (Ambient Temperature - 20 °C to 80 °C)
	B8	Weather Proof Cable gland M20X1.5(M) (Plastic)
	B3	Explosion Proof Double Compression Cable Gland (BRASS) 1/2" NPT(M) (Ambient Temperature - 20 °C to 80 °C), CCOE/ PESO Certified
	B4	Explosion Proof Double Compression Cable Gland (SS316) 1/2" NPT(M) (Ambient Temperature - 20 °C to 80 °C), CCOE/ PESO Certified

SOLENOID

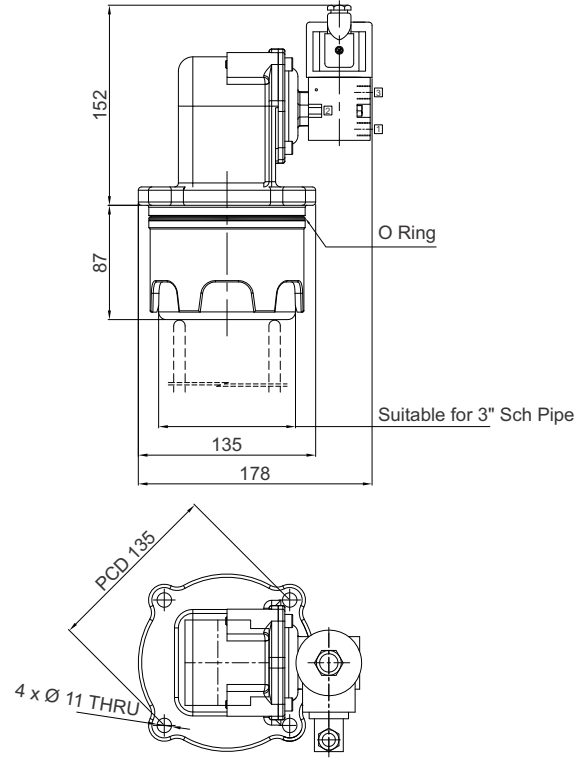
PISTON OPERATED PULSE JET SOLENOID VALVE

DIMENSIONS

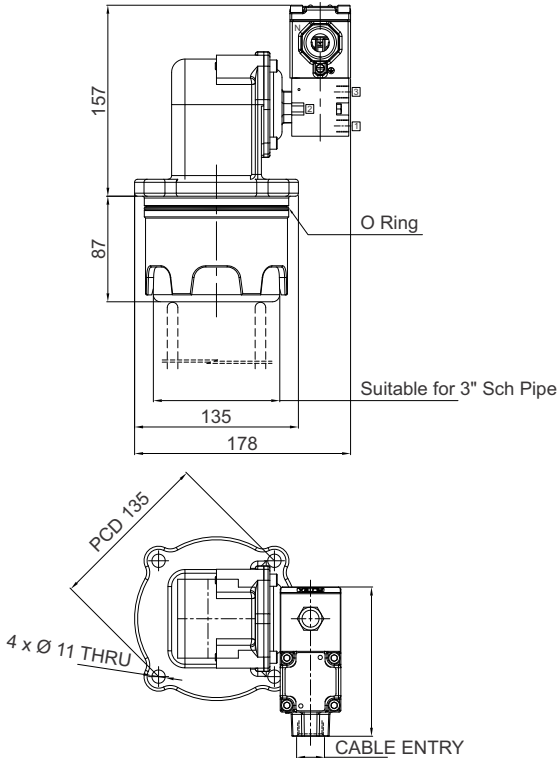
All Dimensions are in mm



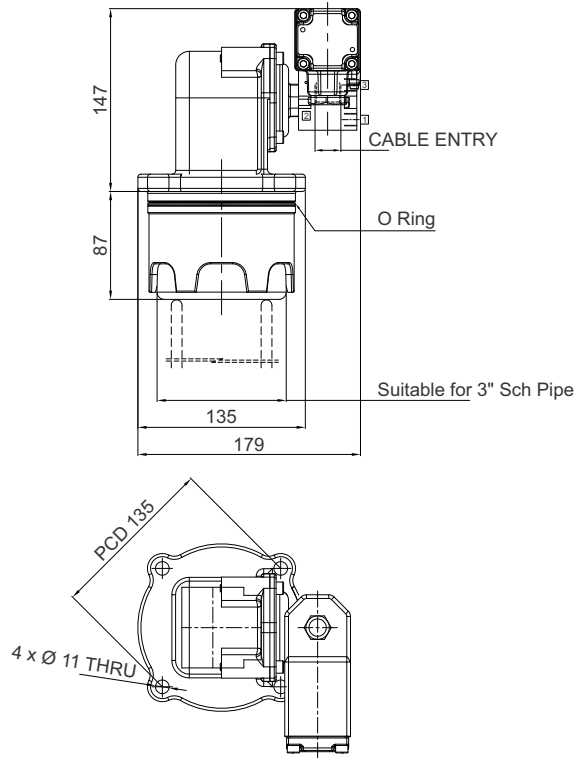
Valve Type	21131
Solenoid Model	22
Solenoid Size	I



Valve Type	21131
Solenoid Model	25
Solenoid Size	III



Valve Type	21131
Solenoid Model	16, 19, 37, 39, 58, 58LT
Solenoid Size	III

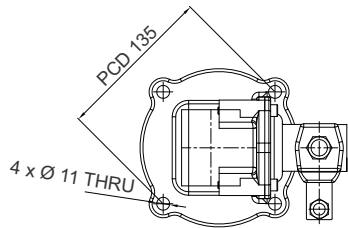
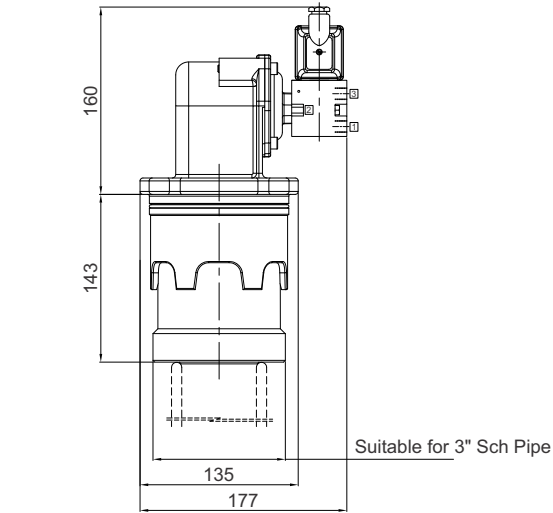


Valve Type	21131
Solenoid Model	17, 87
Solenoid Size	III

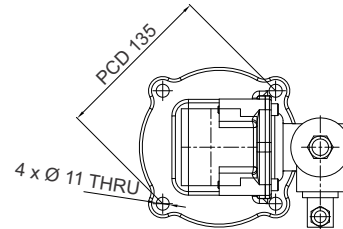
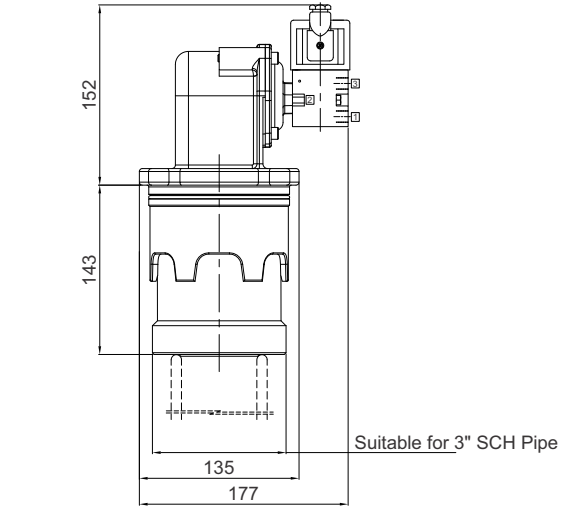
PISTON OPERATED PULSE JET SOLENOID VALVE

DIMENSIONS

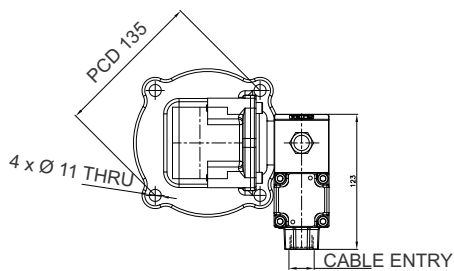
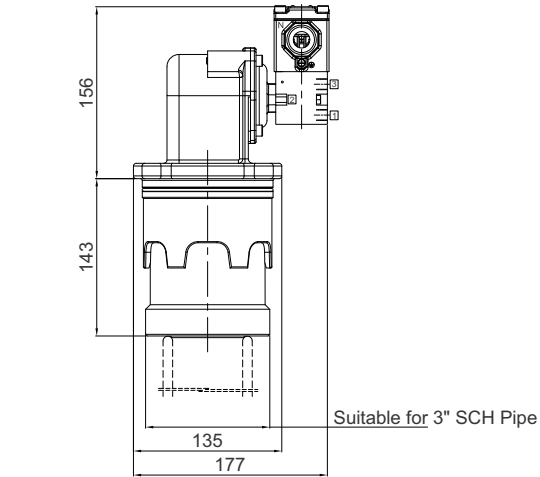
All Dimensions are in mm



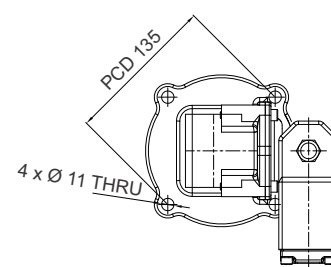
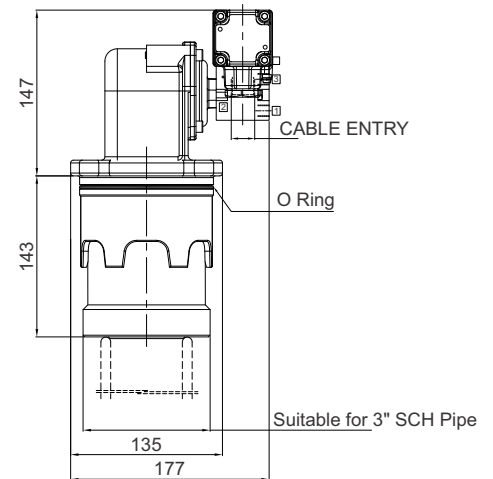
Valve Type	3755
Solenoid Model	22
Solenoid Size	I



Valve Type	3755
Solenoid Model	25
Solenoid Size	III



Valve Type	3755
Solenoid Model	16, 19, 37, 39, 58, 58LT
Solenoid Size	III



Valve Type	3755
Solenoid Model	17, 87
Solenoid Size	III



ROTEX AUTOMATION LIMITED

SALES HQ

B/703/704, Western Edge-II,
Off Western Express Highway,
Borivali (East), Mumbai-400066
Ph: +91 22 42111444
Fax: +91 22 42111400

OVERSEAS:

Bier Straat 117
3011 XA
Rotterdam
The Netherlands
Phone : +31 88 505 35 05
E-mail : info@rotexcontrols.nl

CT01-09, Custom Bldg. 01,
Al Hamra Industrial Zone-FZ,
RAK, United Arab Emirates.
Phone : +971 50 962 7404
E-mail : mena@rotexautomation.com

WORKS

UNIT 1

987/11, GIDC Makarpura,
Vadodara - 390010, Gujarat, INDIA.
Ph. : +91 265 2638136/ 2638795/ 46
Fax : +91 265 2638130

UNIT 2

C - 1 B/ 1501, 4 & 5, GIDC
Vithal Udyognagar - 388121,
Gujarat, INDIA.
Ph. : +91 2692 236224/ 236292/ 236399
Fax : +91 2692 236442