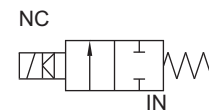


## 40 NB DRESSER NUT DOUBLE DIAPHRAGM PULSE JET SOLENOID VALVE

TYPE	PRESSURE

TYPE	PRESSURE

TYPE	PRESSURE
24106	0.5 - 8.5 bar



### FEATURES

- Pulse jet valve with two diaphragm designed for large flow, fast ON and OFF response
- Larger exhaust area for reducing noise
- Solenoid capable of turning 360°
- Direct pipe mounted
- Easily removable

### WETTED PARTS

Code	※
Body and Internals	Aluminium Die Cast
Guide Assembly	SS 304
Shadow-Ring	Copper
Plunger, Insert	SS 430
Diaphragm	Hytrel, Viton
Fasteners	SS 304
Seat, Seals	NBR, Viton

### SPECIFICATION

#### FLOW FACTOR

RESPONSE TIME 25 ms  
MINIMUM ELECTRICAL PULSE 40 ms

### AMBIENT TEMPERATURE

-5 °C to 85 °C

### FLUID TEMPERATURE

-5 °C to 85 °C

### SPECIAL VERSION AND SUFFIX

Suffix : (Valve) AM  
Special version : (Solenoid) CO, FR, SS

### PORT CONNECTION

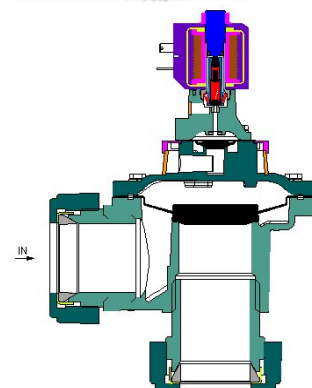
FUNCTION	INLET	OUTLET
NC	2	1

Contact Rotex for  
• Any other ambient, fluid temperature, media and application



**CONTACT ROTEX BEFORE SELECTING THIS ITEM**

SM



### SPARES

(Refer page 25 for ordering code)

SPARE KIT	CODE
<b>Diaphragm Kit</b> : Diaphragm Kit	100
<b>Seal Kit</b> : Oring Set Diaphragm Kit, Plunger Assembly	98
<b>Repair Kit</b> : Oring Set, Diaphragm, Plunger Assembly, Fastener, Springs, Dresser Nut Silencer, Guide Assembly	99
<b>Solenoid Kit</b> : Solenoid, Gasket and Nut	34

### APPROVAL

(\* applied for)

Approval	TYPE 4X, 6P	IP67	Ex d IIC T4 or T5 or T6 IP66	Ex ia IIC T6 IP67	DGMS	CCOE
		✓	✓		✓	✓
CE		✓	✓			
UL	✓		*			
			✓			
EAC			✓			
			✓			



