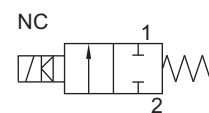


28 NB PULSE JET SOLENOID VALVE

TYPE	PRESSURE

TYPE	PRESSURE

TYPE	PRESSURE
24108	0.5 - 8.5 bar
24108ET	0.5 - 8.5 bar



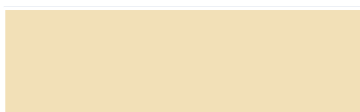
FEATURES

- Hytrel Diaphragm
- Larger exhaust area protected with silencer for reducing noise
- Solenoid capable of turning 360°

WETTED PARTS

Code	※	B12
Body and Internals	Aluminium Die Cast	SS 316 Cast
Guide Assembly	SS 304	
Shadow-Ring	Copper	
Plunger, Insert	SS 430	
Diaphragm	Hytrel, Viton, NBR	
Fasteners	SS 304	
Seat, Seals	NBR, Viton, PTFE, TPU	

SPECIFICATION



RESPONSE TIME 30 ms
MINIMUM ELECTRICAL PULSE 50 ms

AMBIENT TEMPERATURE

-5 °C to 85 °C

FLUID TEMPERATURE

-5 °C to 85 °C

SPECIAL VERSIONS AND SUFFIX

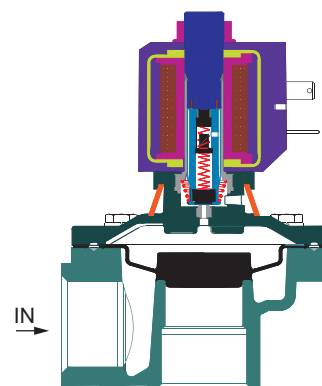
Suffix : (Valve) AM
Special versions : (Solenoid) CO, FR, SS

PORT CONNECTION

FUNCTION	INLET	OUTLET
NC	2	1

Contact Rotex for

- Any other Ambient, Fluid Temperature, Media and application



SPARES (Refer page 25 for ordering code)

SPARE KIT	CODE
Diaphragm Kit : Diaphragm Kit	100
Seal Kit : Oring Set, Diaphragm Kit, Plunger Assembly	98
Repair Kit : Oring Set, Diaphragm Kit, Plunger Assembly, Fastener, Springs, Silencer, Guide Assembly	99
Solenoid Kit : Solenoid, Gasket and Nut	34

APPROVAL (★ applied for)

Approval	TYPE 4X, 6P	IP67	Ex d IIC T4 or T5 or T6 IP66	Ex ia IIC T6 IP67	DGMS	CCOE
		✓	✓		✓	✓
		✓	✓			
	✓		*			
			✓			
			✓			
			✓	✓		



28 NB PULSE JET SOLENOID VALVE

SPECIFICATIONS

SIZE	PORT CONNECTION		PRE-SURE bar		ORIFICE (mm)	FLOW FACTOR kv (LPM OF WATER @ 1 bar ^{1/2})	VALVE TYPE	PILOT PRESSURE	BODY MATERIAL AND INTERNALS					SEALS				MANUAL OVERRIDE		SOLENOID ENCLOSURE				POWER VA		CONSTRUCTION REFERENCE NUMBER
	BSP(F)	NPT(F)	MINIMUM	MAXIMUM					ALUMINIUM	ALUMINIUM + SS	BRASS (STD. PORT NPT)	C.F. 8 M (STD. PORT NPT)	NBR	Viton (S2)/ Viton+PTFE (S8)	EPDM	HYTREL	TPU	NIL	STAYPUT CUM MOMENTARY	MOMENTARY	FLYING LEAD	PLUG IN, IP67	SQ. PLUG IN, IP67	TERMINAL BOX IP67	EXPLOSION PROOF IIC, IP67	

INTEGRAL LOT

3/4	6G	6R	0.58	.528	280	24	108	ø					B12	S0	S2	ø			22	T	E	14			18	12	8	P3
3/4	6G	6R	0.58	.528	280	24	108	ET	ø				B12	S8					22	T	E	14			18	12	8	P3
1	8G	8R	0.58	.528	310	24	108	ø					B12	S0	S2	ø	S25		22	T	E	14			18	12	8	P3
1	8G	8R	0.58	.528	310	24	108	ET	ø				B12	S8					22	T	E	14			18	12	8	P3

Cable	E	T	Ex d	E	Ex emb
M20 x 1.5	9	39	87	MS	58MS58LTMS
M25 x 1.5			87		58 58LT
1/2 NPT	16	37	87	NS	58NS58LTNS

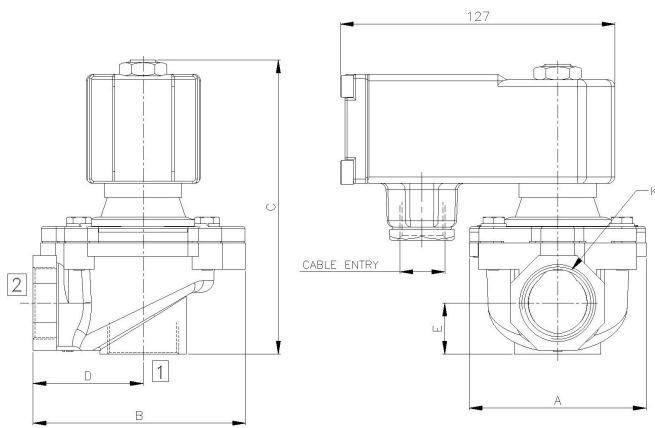
ø = Do not specify when opted for. Refer Page # 22 for Value of

ORDERING CODE, E VALVE + SOLENOID

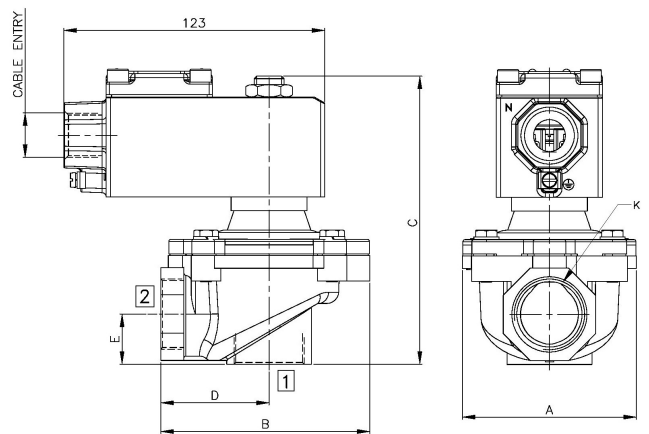
TYPE ORIFICE PORT CONNECTION BODY AND INTERNALS SEAL MEDIA +
 VOLTAGE CURRENT SOLENOID ENCLOSURE - INSULATION APPROVAL
 e.g 24108-28-8G+I-110V 50Hz-16, 24108ET-28-8G-S8+III-110V 50Hz-16-H

DIMENSIONS All Dimensions are in mm

CONSTRUCTION REFERENCE



Ex ia SOLENOID WITH BOOSTER CIRCUIT



TERMINAL BOX/ Ex d TYPE 16, 19, 37, 39

VALVE TYPE	PIPE CONN.	A	B	C	D	E
24108-28	3/4	82	99	139	51	24
24108-28	1	82	99	139	51	24

VALVE TYPE	PIPE CONN.	A	B	C	D	E
24108ET-28	3/4	82	99	139	51	24
24108ET-28	1	82	99	139	51	24