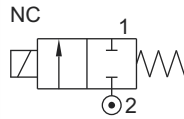


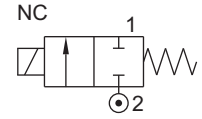
2/2 DIRECT ACTING, HIGH ORIFICE NORMALLY CLOSED SOLENOID VALVE

TYPE	PRESSURE

TYPE	PRESSURE
20172V02LP	0 - 5 bar
20172V03LP-40	0 - 5 bar



TYPE	PRESSURE
20172V02	0 - 10 bar
20172V03-40	0 - 10 bar

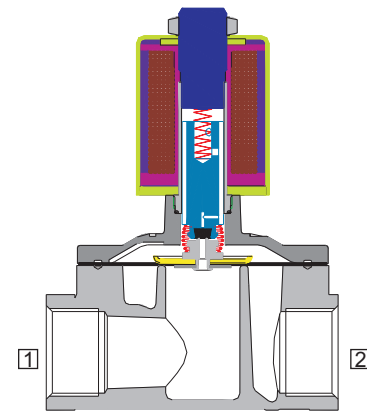


FEATURES

- Bubble tight shut off
- Vibration resistance up to 9g
- Suitable for high speed cycling
- Speed up to 100 cycles/ min.
- Life >2 million cycles
- Mount Valve Horizontal Only (PIPE Connection Perrelal to Ground)

WETTED PARTS

Code		B12	B13
Body		CF8M	CF8
Diaphragm	Viton, NBR, EPDM		
Guide Assembly	SS 304		
Shadow-Ring	Copper		
Plunger, Insert	SS 430		
Spring	SS 302		
Seat, Seals	NBR, Viton, EPDM		
Fasteners	SS 304		



AMBIENT AND FLUID TEMPERATURE

-30 °C to 75 °C

SPECIAL VERSION AND SUFFIX

Suffix : (Valve) OX, AM
Special version : (Solenoid) CO, FR, SS

MEDIA

Air, Inert gases, Water, Free flowing liquid, Oil, Diesel, Kerosene, LPG, CNG

APPLICATION

Drain shut off

PORT CONNECTION

ACTION	INLET	OUTLET
NC	2	1

SPARES

(Refer page 25 for ordering code)

SPARE KIT	CODE
Diaphragm Kit : Diaphragm Set	100
Seal Kit : Oring Set, Diaphragm Set, Plunger Assembly	98
Repair Kit : Oring Set, Diaphragm Set, Plunger Assembly, Fastener, Springs, Guide Assembly	99
Solenoid Kit : Solenoid, Gasket and Nut	34

APPROVAL

(* applied for)

Approval	TYPE 4X, 6P	IP67	Ex d IIC T4 or T5 or T6 IP66	Ex ia IIC T6 IP67	DGMS	CCOE
		✓	✓	✓	✓	✓
CE						
UL						
ERC						

Contact Rotex for any other ambient, fluid temperature, media and application



OIL Media Temperature Restricted from 0 °C to 100 °C



2/2 DIRECT ACTING, HIGH ORIFICE NORMALLY CLOSED SOLENOID VALVE

SPECIFICATION

PORT CONNECTION		PRE-SSURE bar		ORIFICE (mm)	FLOW FACTOR kv (LPM OF WATER @ 1 bar ΔP)	VALVE TYPE	PILOT PRESSURE	BODY MATERIAL AND INTERNALS					SEALS					MANUAL OVERRIDE		SOLENOID ENCLOSURE WEATHER PROOF		EXPLOSION PROOF		SUFFIX		POWER VA		CONSTRUCTION REFERENCE NUMBER
SIZE	BSP(F)	NPT(F)	MINIMUM					MAXIMUM	ALUMINIUM	CF8M & SS316	BRASS	CF8 & SS316	NBR	Viton	EPDM	HYTREL	PTFE	NIL	STAYPUT CUM MOMENTARY	FLYING LEAD	PLUG IN, IP67	SQ. PLUG IN, IP67	TERMINAL BOX IP67	EXPLOSION PROOF IIC,IP67	LARGE ENCLOSURE	SOLENOID SIZE	OXYGEN	

2/2 NORMALLY CLOSED

1/2"	4G	4R	0	10	12	50	20172V02	B12	B13	S0	S2			*					T	E	18	✓	✓	30	30	30	15
3/4"	6G	6R	0	10	20	95	20172V02	B12	B13	S0	S2			*					T	E	18	✓	✓	30	30	30	20
1"	8G	8R	0	10	25	160	20172V02	B12	B13	S0	S2			*					T	E	18	✓	✓	30	30	30	20
1 1/2"	12G	12R	0	10	40	350	20172V03	B12	B13	S0	S2			*					T	E	18	✓	✓	30	30	30	30
1/2"	4G	4R	0	5	12	50	GEFI GXECSU	B12	B13	S0	S2			*				25	T	E	18	✓	✓	20	20	15	15
3/4"	6G	6R	0	5	20	95	GEFI GXECSU	B12	B13	S0	S2			*				25	T	E	18	✓	✓	20	20	15	20
1"	8G	8R	0	5	25	160	GEFI GXECSU	B12	B13	S0	S2			*				25	T	E	18	✓	✓	20	20	15	20
1 1/2"	12G	12R	0	5	40	350	GEFI GXECSU	B12	B13	S0	S2			*				25	T	E	18	✓	✓	20	20	15	30
2"	16G	16R	0	5	50	560	GEFI GXECSU	B12	B13	S0	S2			*				25	T	E	18	✓	✓	20	20	15	30

SOLENOID 18			
Cable Entry	T	E	
M20 x 1.5	FJ FİTÜ HU İİTÜ	İİTÜ İİSVTÜ	
M25 x 1.5	Fİ İİ	İİ İİSV	
1/2" NPT	Fİ FİPÜ H İİPÜ	İİPÜ İİSVPÜ	

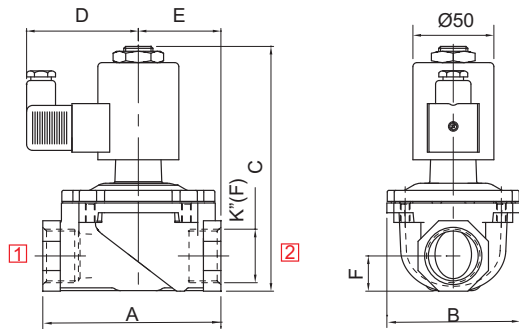
* = Do not specify when opted for. Refer Page # 22 for Value of *
 ✓ = Options available

ORDERING CODE AND EXAMPLE VALVE + SOLENOID

VALVETYPE - SUFFIX - ORIFICE - PORT CONNECTION - BODY AND INTERNALS - SEAL - MEDIA +
 SIZE - VOLTAGE - CURRENT - SOLENOID ENCLOSURE - SPECIALVERSION - POWER - INSULATION - APPROVAL
 e.g. 20172V02-25-8G-B12-S0+II-24V-DC-16-LW30; 20172V02-12-4G-B13-S2+II-230V-AC/DC-19-FR-LW30-H

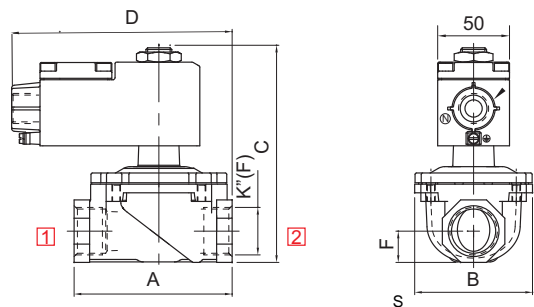
DIMENSIONS

All Dimensions are in mm



SQUARE PLUG IN SOLENOID TYPE 25

NW	K (PORT SIZE)	A	B	C	D	E	F	CONST. REF.
VALVE TYPE : 20172V02/20172V03/20172V02LP								
12	1/2", 3/8", 1/4"	65	50	124	66	29	15	29
20	3/4"	84	64	137	66	42	17	30
25	1"	110	93	142	66	51	25	31
40	1 1/2"	135	94	157	68	68	30	32A



TERMINAL BOX/ Ex d LARGE ENCLOSURE, TYPE 16, 19, 37, 39, 58, 58LT, LC

NW	K (PORT SIZE)	A	B	C	D	E	F	CONST. REF.
VALVE TYPE : 20172V02/20172V03/20172V02LP								
12	1/2", 3/8", 1/4"	65	50	124	132	00	15	29
20	3/4"	84	64	137	132	00	17	30
25	1"	110	82	142	132	00	25	31
40	1 1/2"	135	94	157	132	00	30	
50	2"	165	140	190	132	00	38	32

⚠ Plug In Coil type 25 can be supplied only for 'DC' Voltages.