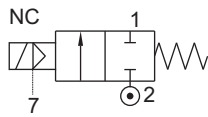
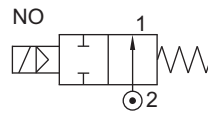


2/2 POPPET TYPE, INTERNAL/ EXTERNAL PILOT, NC/ NO SOLENOID VALVE

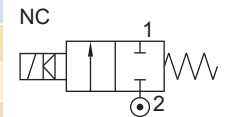
TYPE	PRESSURE
22101	0 - 20 bar



TYPE	PRESSURE
21201	0.7 - 10 bar
21202	1 - 20 bar
21203	2 - 40 bar



TYPE	PRESSURE
21101	0.7 - 10 bar
21102	1 - 20 bar
21103	2 - 40 bar

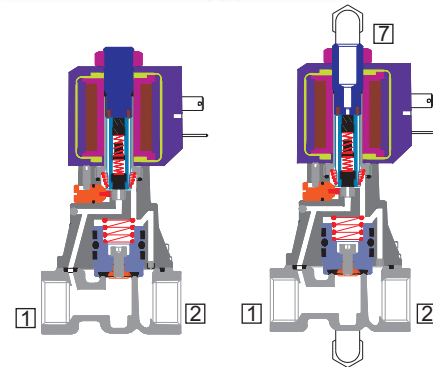


FEATURES

- Bubble tight shut off
- Vibration resistance up to 9g
- Suitable for high speed cycling
- Speed up to 400 cycles/ min
- Life >10 million cycles

WETTED PARTS

Code	B2	B12	B13
Body	CF8	CF8M	CF8
Internals	BRASS	SS316	SS316
Guide Assembly	SS 304		
Shadow-Ring	Copper/ Silver/ None		
Plunger, Insert	SS 430		
Spring	SS 302		
Seat, Seals	NBR, Viton, EPDM		
Fasteners	SS 304		



AMBIENT AND FLUID TEMPERATURE

-30 °C to 75 °C

SPECIAL VERSION AND SUFFIX

Suffix : (Valve) AM, LC
Special version : (Solenoid) CO, FR, SS, LC, III, TM

MEDIA

Air, Inert Gases, Water, Free Flowing Liquid, Oil, Diesel, Kerosene, LPG

APPLICATION

High ON/ OFF Cycles

PORT CONNECTION

ACTION	INLET	OUTLET	EXTERNAL PILOT INLET
NC	2	1	7
NO	2	1	

Contact Rotex for

- Any other ambient, fluid temperature, media and application
- UL listed, Listed general purpose Valve
- PED approved valve Orifice 25mm & Higher



For Valve type 22101 External pilot pressure should be minimum 2 bar or \geq Main pressure whichever is higher.
OIL Media Temperature Restricted from 0 °C to 100 °C

SPARES

(Refer page 25 for ordering code)

SPARE KIT	CODE
Seal Kit : Oring Set and Plunger Assembly	98
Repair Kit : Oring Set, Plunger Assembly, Springs, Manual Override, Piston Kit, Guide Assembly	99
Solenoid Kit : Solenoid, Gasket and Nut	34

APPROVAL

(* applied for)

Approval	TYPE 4X, 6P	IP67	Ex d IIC T4 or T5 or T6 IP66	Ex ia IIC T6 IP67	DGMS	CCOE
		✓	✓	✓	✓	✓
CE		✓	✓	✓		
UL	✓		*			
			✓	✓		
ERC			✓	✓		
			✓	✓		



2/2 POPPET TYPE, INTERNAL/ EXTERNAL PILOT, NC/ NO SOLENOID VALVE

SPECIFICATION

PORT CONNECTION			PRE-SURE bar		ORIFICE (mm)	VALVE TYPE	PILOT PRESSURE	BODY MATERIAL AND INTERNALS		SEALS					MANUAL OVERRIDE			SOLENOID ENCLOSURE				SUFFIX		POWER VA			CONSTRUCTION REFERENCE NUMBER
SIZE	BSP(F)	NPT(F)	MINIMUM	MAXIMUM				CF8M & SS316	BRASS	CF8 & SS316	NBR	Viton	EPDM	HYTREL	PTFE	NIL	STAYPUT CUM MOMENTARY	FLYING LEAD	WEATHER PROOF	EXPLOSION PROOF	EXPLOSION PROOF	SOLENOID SIZE	OXYGEN	AMMONIA	AC INRUSH	AC HOLDING	

2/2 NORMALLY CLOSED

1/2"	4G	4R	0.7	10	12	60	21101		B12	B2	B13	*	S2	S1		M0	*	M8	F	22	25	T	E	III	14		✓	18	12	8	57
			1	20	12	60	21102		B12	B2	B13	*	S2	S1		M0	*	M8	F	22	25	T	E	III	14		✓	18	12	8	57
			0	20	12	60	22101	2-20	B12	B2	B13	*	S2	S1		M0	*	M8	F	22	25	T	E	III	14		✓	18	12	8	57
			2	40	12	60	21103V01		B12	B2	B13	*	S2	S1		*		F	22	25	T	E	III	14		✓	18	12	8	57	
3/4"	6G	6R	0.7	10	20	110	21101		B12	B2	B13	*	S2	S1		M0	*	M8	F	22	25	T	E	III	14		✓	18	12	8	58
			1	20	20	110	21102		B12	B2	B13	*	S2	S1		M0	*	M8	F	22	25	T	E	III	14		✓	18	12	8	58
			0	20	20	110	22101	2-20	B12	B2	B13	*	S2	S1		M0	*	M8	F	22	25	T	E	III	14		✓	18	12	8	58
			2	40	20	110	21103V01		B12	B2	B13	*	S2	S1		*		F	22	25	T	E	III	14		✓	18	12	8	58	
1"	8G	8R	0.7	10	25	185	21101V01		B12	B2	B13	*	S2	S1		M0	*	M8	F	22	25	T	E	III	14		✓	18	12	8	59
			1	20	25	185	21102V01		B12	B2	B13	*	S2	S1		M0	*	M8	F	22	25	T	E	III	14		✓	18	12	8	59
			0	20	25	185	22101V01	2-20	B12	B2	B13	*	S2	S1		M0	*	M8	F	22	25	T	E	III	14		✓	18	12	8	59
			2	40	25	185	21103V01		B12	B2	B13	*	S2	S1		*		F	22	25	T	E	III	14		✓	18	12	8	59	
1 1/4"	10G	10R	0.7	10	40	400	21101		B12	B2	B13	*	S2	S1		M0	*	M8	F	22	25	T	E	III	14		✓	18	12	8	60
			1	20	40	400	21102		B12	B2	B13	*	S2	S1		M0	*	M8	F	22	25	T	E	III	14		✓	18	12	8	60
			0	20	40	400	22101	2-20	B12	B2	B13	*	S2	S1		M0	*	M8	F	22	25	T	E	III	14		✓	18	12	8	60
			2	40	40	400	21103V01		B12	B2	B13	*	S2	S1		*		F	22	25	T	E	III	14		✓	18	12	8	60	
1 1/2"	12G	12R	0.7	10	40	440	21101		B12	B2	B13	*	S2	S1		M0	*	M8	F	22	25	T	E	III	14		✓	18	12	8	61
			1	20	40	440	21102		B12	B2	B13	*	S2	S1		M0	*	M8	F	22	25	T	E	III	14		✓	18	12	8	61
			0	20	40	440	22101	2-20	B12	B2	B13	*	S2	S1		M0	*	M8	F	22	25	T	E	III	14		✓	18	12	8	61
			2	40	40	440	21103V01		B12	B2	B13	*	S2	S1		*		F	22	25	T	E	III	14		✓	18	12	8	61	
2"	16G	16R	0.7	10	50	650	21101V01		B12	B2	B13	*	S2	S1		M0	*	M8	F	22	25	T	E	III	14		✓	18	12	8	62
			1	20	50	650	21102V01		B12	B2	B13	*	S2	S1		M0	*	M8	F	22	25	T	E	III	14		✓	18	12	8	62
			0	20	50	650	22101V01	2-20	B12	B2	B13	*	S2	S1		M0	*	M8	F	22	25	T	E	III	14		✓	18	12	8	62
			2	40	50	650	21103V01		B12	B2	B13	*	S2	S1		*		F	22	25	T	E	III	14		✓	18	12	8	62	

2/2 NORMALLY OPEN

1/2"	4G	4R	0.7	10	12	60	21201		B12	B2	B13	*	S2	S1		M0	*	M8	F	22	25	T	E	III	14		✓	18	12	8	63
			1	20	12	60	21202		B12	B2	B13	*	S2	S1		M0	*	M8	F	22	25	T	E	III	14		✓	18	12	8	63
			2	40	12	60	21203V01		B12	B2	B13	*	S2	S1		*		F	22	25	T	E	III	14		✓	18	12	8	63	
3/4"	6G	6R	0.7	10	20	110	21201		B12	B2	B13	*	S2	S1		M0	*	M8	F	22	25	T	E	III	14		✓	18	18	8	64
			1	20	20	110	21202		B12	B2	B13	*	S2	S1		M0	*	M8	F	22	25	T	E	III	14		✓	18	18	8	64
			2	40	20	110	21203V01		B12	B2	B13	*	S2	S1		*		F	22	25	T	E	III	14		✓	18	12	8	64	
1"	8G	8R	0.7	10	25	185	21201V01		B12	B2	B13	*	S2	S1		M0	*	M8	F	22	25	T	E	III	14		✓	18	18	8	65
			1	20	25	185	21202V01		B12	B2	B13	*	S2	S1		M0	*	M8	F	22	25	T	E	III	14		✓	18	12	8	65
			2	40	25	185	21203V01		B12	B2	B13	*	S2	S1		*		F	22	25	T	E	III	14		✓	18	12	8	65	
1 1/4"	10G	10R	0.7	10	40	400	21201		B12	B2	B13	*	S2	S1		M0	*	M8	F	22	25	T	E	III	14		✓	18	18	8	66
			1	20	40	400	21202		B12	B2	B13	*	S2	S1		M0	*	M8	F	22	25	T	E	III	14		✓	18	18	8	66
			2	40	40	400	21203V01		B12	B2	B13	*	S2	S1		*		F	22	25	T	E	III	14		✓	18	12	8	66	
1 1/2"	12G	12R	0.7	10	40	440	21201		B12	B2	B13	*	S2	S1		M0	*	M8	F	22	25	T	E	III	14		✓	18	12	8	67
			1	20	40	440	21202		B12	B2	B13	*	S2	S1		M0	*	M8	F	22	25	T	E	III	14		✓	18	12	8	67
			2	40	40	440	21203V01		B12	B2	B13	*	S2	S1		*		F	22	25	T	E	III	14		✓	18	12	8	67	
2"	16G	16R	0.7	10	50	650	21201V01		B12	B2	B13	*	S2	S1		M0	*	M8	F	22	25	T	E	III	14		✓	18	12	8	68
			1	20	50	650	21202V01		B12	B2	B13	*	S2	S1		M0	*	M8	F	22	25	T	E	III	14		✓	18	12	8	68
			2	40	50	650	21203V01		B12	B2	B13	*	S2	S1		*		F	22	25	T	E	III	14		✓	18	12	8	68	

SOLENOID 14		Cable Entry			T	E												
		Øc	Øa	Øb	Øc	Øa	Øb	Øc										
M20 x 1.5	FJ	F	I	T	H	I	T	I	T	U	I	T	U	I	S	V	T	U
M25 x 1.5	F	I	I	I	I	I	I	I	I	I	I	I	I	I	I	I	I	I
1/2" NPT	F	I	I	I	H	I	I	I	I	I	I	I	I	I	I	I	I	I

Flying lead IP54	*
Flying lead IP67	01

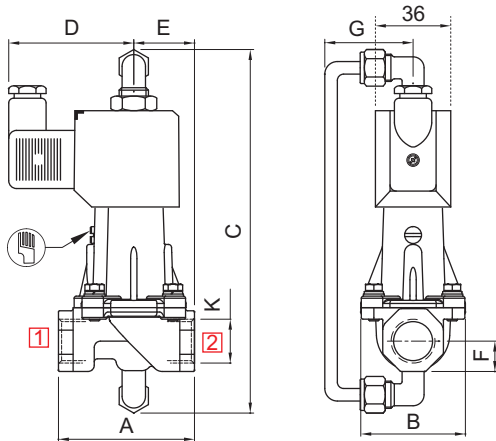
* = Do not specify when opted for. Refer Page #22 for Value of *
 ✓ = Options available
 * Valve type printed in red colour is external pilot air/ air operated valve



2/2 POPPET TYPE, INTERNAL/ EXTERNAL PILOT, NC/ NO SOLENOID VALVE

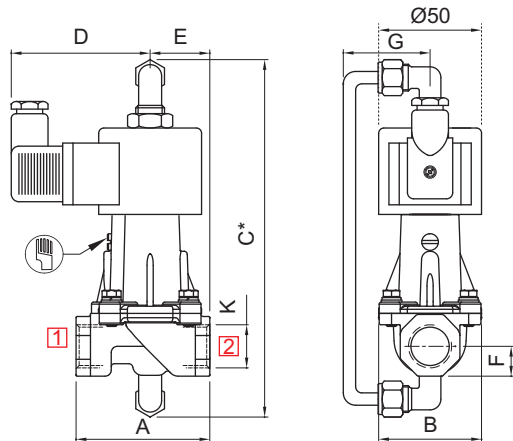
DIMENSIONS

All Dimensions are in mm



PLUG IN SOLENOID TYPE 22

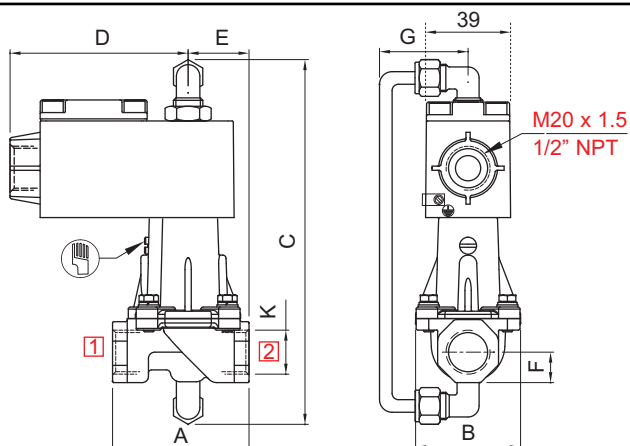
NW	K (PORT SIZE)	A	B	C	D	E	F	G	CONST. REF.
VALVE TYPE : 21201, 21202, 21203*									
12	1/2", 3/8", 1/4"	65	50	140	82	00	15	42	63
20	1/2"	84	64	152	82	00	17	48	64
20	3/4"	84	64	152	82	00	17	48	64
25	1"	110	95	174	82	00	25	61	65
40	1 1/4"	135	94	191	82	00	30	61	66
40	1 1/2"	135	94	191	82	00	30	61	67
50	2"	165	170	215	123	00	38	101	68



SQUARE PLUG IN SOLENOID TYPE 25

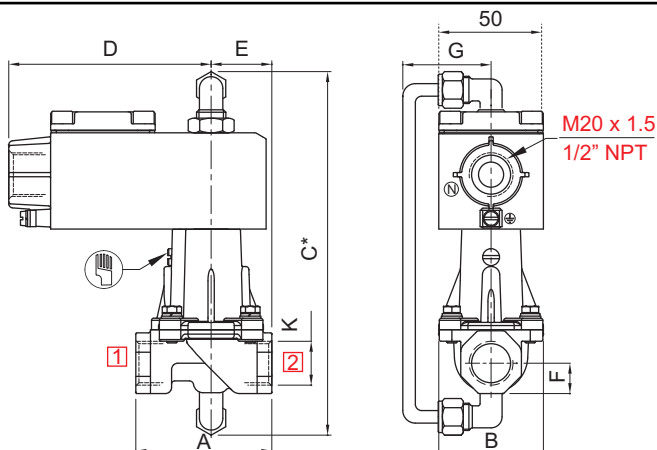
NW	K (PORT SIZE)	A	B	C*	D	E	F	G	CONST. REF.
VALVE TYPE : 21201									
12	1/2", 3/8", 1/4"	65	50	140	93	00	15	42	63
20	1/2"	84	64	152	93	00	17	48	64
20	3/4"	84	64	152	93	00	17	48	64
25	1"	110	95	174	93	00	25	61	65
40	1 1/4"	135	94	191	93	00	30	61	66
40	1 1/2"	135	94	191	93	00	30	61	67
50	2"	165	170	215	93	00	38	101	68

*C = C + 20 FOR VALVE TYPE 21203



TERMINAL BOX/ Ex d ENCLOSURE, TYPE 16, 19, 37, 39, 58, 58LT

NW	K (PORT SIZE)	A	B	C	D	E	F	G	CONST. REF.
VALVE TYPE : 21201, 21202									
12	1/2", 3/8", 1/4"	65	50	140	116	00	15	42	63
20	1/2"	84	64	152	116	00	17	48	64
20	3/4"	84	64	152	116	00	17	48	64
25	1"	110	95	174	116	00	25	61	65
40	1 1/4"	135	94	191	116	00	30	61	66
40	1 1/2"	135	94	191	116	00	30	61	67
50	2"	165	170	215	116	00	38	101	68



TERMINAL BOX/ Ex d LARGE ENCLOSURE, TYPE 16, 19, 37, 39, 58, 58LT, LC

NW	K (PORT SIZE)	A	B	C*	D	E	F	G	CONST. REF.
VALVE TYPE : 21201, 21202, 21203*									
12	1/2", 3/8", 1/4"	65	50	140	123	00	15	42	63
20	1/2"	84	64	152	123	00	17	48	64
20	3/4"	84	64	152	123	00	17	48	64
25	1"	110	95	174	123	00	25	61	65
40	1 1/4"	135	94	191	123	00	30	61	66
40	1 1/2"	135	94	191	123	00	30	61	67
50	2"	165	170	215	123	00	38	101	68

*C = C + 20 FOR VALVE TYPE 21203