

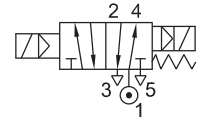
SERIES : 32P

5/2 INTERNAL PILOT OPERATED, DOUBLE SOLENOID POPPET VALVE

TYPE	PRESSURE

TYPE	PRESSURE

TYPE	PRESSURE
57400	2 - 10 bar
57404	2 - 10 bar



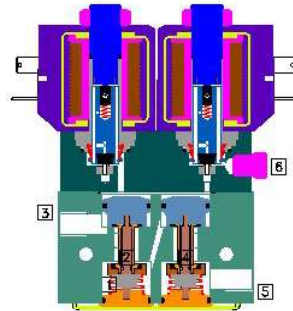
FEATURES

- Bubble tight shut off
- Mounts in any position
- Vibration resistance up to 9g
- Suitable for high speed cycling
- Speed up to 600 cycles/ min.
- Life >10 million cycles



WETTED PARTS

Code	※	B1	B2	B5
Body	Anodized Aluminium	Anodized Aluminium	Brass	SS 316
Internals	Aluminium, Brass and SS 316	SS 316	Brass and SS 316	SS 316
Guide Assembly	SS 304			
Shadow-Ring	Copper/ Silver/ None			
Plunger, Insert	SS 430			
Spring/ Cirdlip	SS 302/ Steel			
Fasteners	SS 304			
Seat, Seals	NBR, Viton, F,Silicon			



AMBIENT AND FLUID TEMPERATURE

-30 °C to 75 °C

SPECIAL VERSION AND SUFFIX

Suffix : (Valve) AM, WO
 Special versions : (Solenoid) CO, FR, SS, LC, III

MEDIA

Air, Inert Gases

APPLICATION

Operation of double acting cylinder/ actuator

PORT CONNECTION

INLET	OUTLET	OUTLET	EXHAUST	EXHAUST	PILOT EXHAUST
1	2	4	3	5	6

Contact Rotex for

- Any other ambient, fluid temperature, media and application
- UL listed, Listed general purpose Valve
- Media like Water, Light Oil etc.

SPARES

(Refer page 25 for ordering code)

SPARE KIT	CODE
Seal Kit : Oring Set and Plunger Assembly	98
Repair Kit : Oring Set, Plunger Assembly, Fastener, Springs, Manual Override	99
Solenoid Kit : Solenoid, Gasket	34

APPROVAL

(* applied for)

Approval	TYPE 4X, 6P	IP67	Ex d IIC T4 or T5 or T6 IP66	Ex ia IIC T6 IP67	DGMS	CCOE
		✓	✓	✓	✓	✓
CE		✓	✓	✓		
UL	✓		*			
			✓	✓		
			✓	✓		
			✓	✓		



The pressure drop at inlet port causes malfunction of the Valve. All equipment connected between the header and the inlet port should have a higher orifice compared to the solenoid Valve. Electrical failure Stayput, Air failure to reset.

5/2 INTERNAL PILOT OPERATED, DOUBLE SOLENOID POPPET VALVE

SPECIFICATION

SIZE	PORT CONNECTION		PRE-SSURE bar		ORIFICE (mm)		VALVE TYPE	PILOT PRESSURE	BODY MATERIAL AND INTERNALS						SEALS				MANUAL OVERRIDE			SOLENOID ENCLOSURE				SUFFIX		POWER VA		CONSTRUCTION REFERENCE NUMBER	
	BSP(F)	NPT(F)	MINIMUM	MAXIMUM					ALUMINIUM	ALUMINIUM + SS	BRASS (STD. PORT NPT)	SS 316 (STD. PORT NPT)	NBR	Viton	EPDM	HYTREL	F-Silicon	NIL	STAYPUT CUM MOMENTARY	MOMENTARY	FLYING LEAD	PLUG IN, IP67	SQ. PLUG IN, IP67	TERMINAL BOX IP67	FPJB Ex d IIC, T4 OR T6, IP67	LARGE ENCLOSURE	SOLENOID SIZE	OXYGEN	AMONIA		AC INRUSH
5/2 DUAL SOLENOID																															
1/4"	2G	2R	2	10	6	12	57400		*	B1	B2	B5	*	S2			M0	*	F	22	25	T	E	III	14	✓	✓	18	12	8	514
3/8"	3G	3R	2	10	6	12	57400		*	B1	B2	B5	*	S2			M0	*	F	22	25	T	E	III	14	✓	✓	18	12	8	518
			2	10	10	38	57404		*	B1	B2	B5	*	S2			M0	*	F	22	25	T	E	III	14		✓	18	12	8	520
1/2"	4G	4R	2	10	6	12	57400		*	B1	B2	B5	*	S2			M0	*	F	22	25	T	E	III	14	✓	✓	18	12	8	515
			2	10	16	75	57404		*	B1	B2	B5	*	S2			M0	*	F	22	25	T	E	III	14		✓	18	12	8	521
3/4"	6G	6R	3	10	20	110	57404		*	B1		B5	*	S2			M0	*	F	22	25	T	E	III	14		✓	18	12	8	522
1"	8G	8R	3	10	25	185	57404		*	B1		B5	*	S2			M0	*	F	22	25	T	E	III	14		✓	18	12	8	526

Cable Entry	T	E	F	※ = Do not specify when opted for. Refer Page # 22 for Value of ※
M20 x 1.5	19	39	Flying lead IP54	※
1/2" NPT	16	37	Flying lead IP67	01

✓ = Options available

ORDERING CODE AND EXAMPLE VALVE + SOLENOID

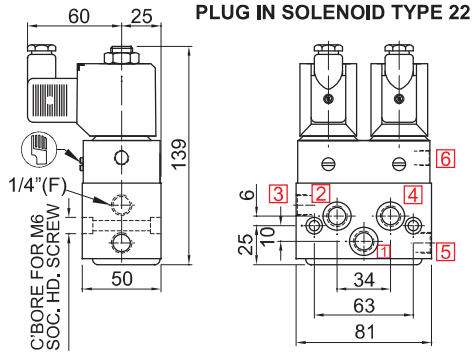
VALVE TYPE- SUFFIX - ORIFICE - PORT CONNECTION - BODY AND INTERNALS - MANUAL OVERRIDE - SEAL - MEDIA + SIZE - VOLTAGE - CURRENT - SOLENOID ENCLOSURE - SPECIAL VERSION - INSULATION - APPROVAL

e.g. 57400-6-2R-M0+I-230V-50Hz-16

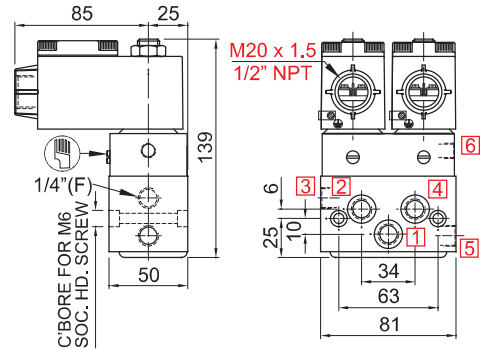
5/2 INTERNAL PILOT OPERATED, DOUBLE SOLENOID POPPET VALVE

DIMENSIONS All Dimensions are in mm

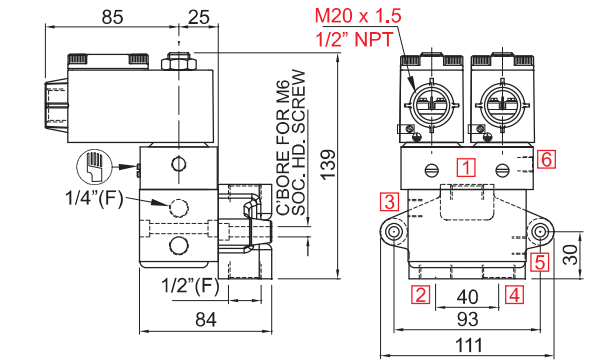
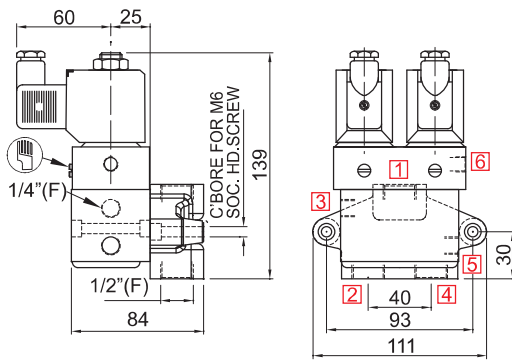
CONSTRUCTION REFERENCE : 514



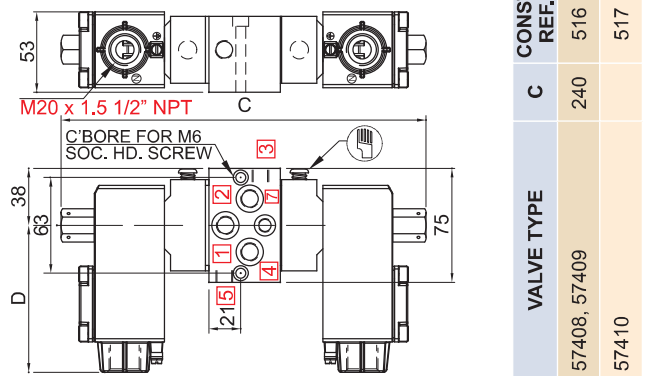
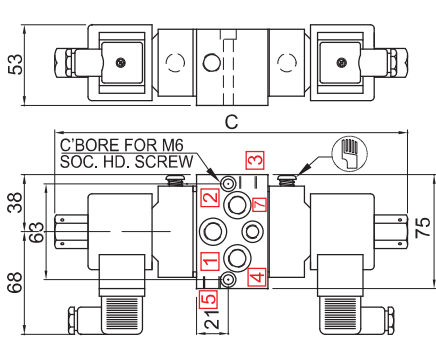
TERMINAL BOX/ Ex d TYPE 16, 19, 37, 39



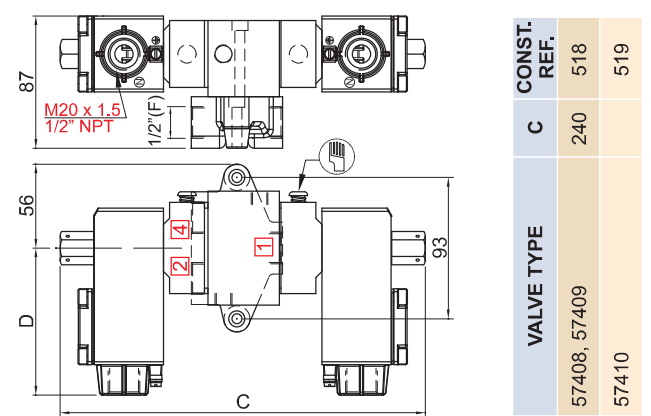
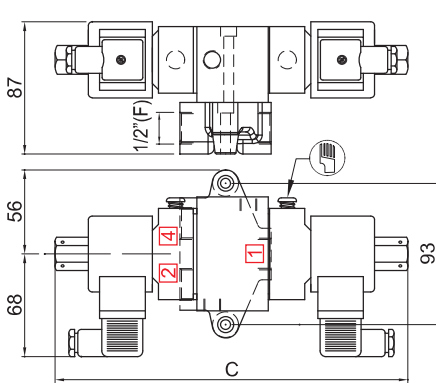
CONSTRUCTION REFERENCE : 515



CONSTRUCTION REFERENCE : 516



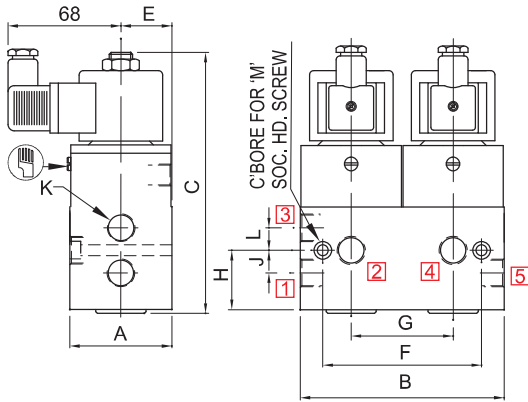
CONSTRUCTION REFERENCE : 518



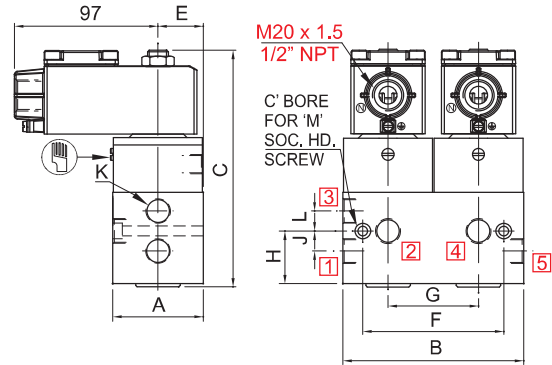
5/2 INTERNAL PILOT OPERATED, DOUBLE SOLENOID POPPET VALVE

DIMENSIONS

All Dimensions are in mm

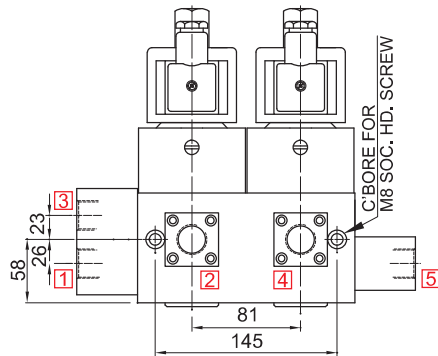
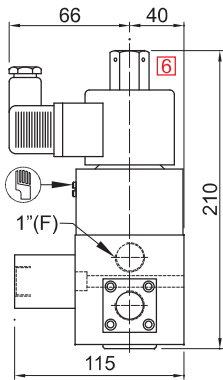


SQUARE PLUG IN SOLENOID TYPE 25



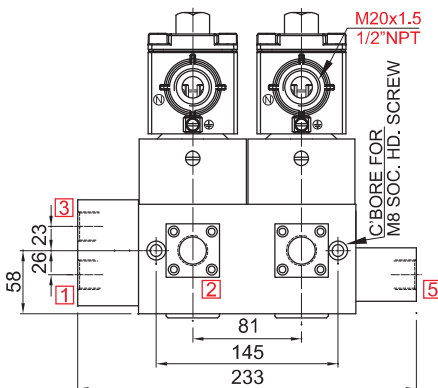
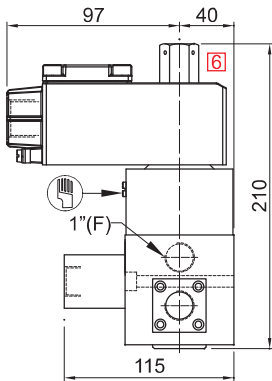
TERMINAL BOX/Ex d LARGE ENCLOSURE, TYPE 16, 19, 37, 39, LC

NW	K (PORT SIZE)	A	B	C	E	F	G	H	J	L	M	CONST. REF.
VALVE TYPE : 57404												
10	3/8"	61	122	171	30.5	95	61	35.5	13.5	13.5	M6	520
16	1/2"	81	165	201	40.5	145	81	47.5	18	18	M8	521
20	3/4"	81	165	210	40.5	145	81	57.5	26	23	M8	522



PLUG IN SOLENOID TYPE 22/ 25

NW	K (PORT SIZE)	VALVE TYPE	C	CONST. REF.
25	1"	57404	210	526



TERMINAL BOX/ Ex d/ LARGE ENCLOSURE, TYPE 16, 19, 37, 39

NW	K (PORT SIZE)	VALVE TYPE	C	CONST. REF.
25	1"	57404	210	526