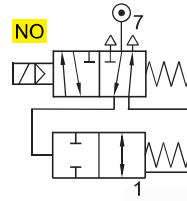


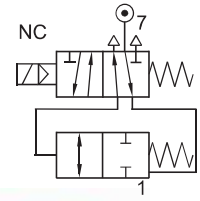
**2/2 ISOLATED PISTON, EXTERNAL AIR OPERATED BI-DIRECTIONAL, NC/ NO SOLENOID VALVE**

TYPE	PRESSURE

TYPE	PRESSURE
23204	0 - 10 bar



TYPE	PRESSURE
23104	0 - 10 bar



**FEATURES**

- Bubble tight shut off
- Vibration resistance up to 9g
- Suitable for high speed cycling
- Speed up to 400 cycles/ min
- Life >10 million cycles
- Suitable for vacuum up to 10<sup>-6</sup> torr

**WETTED PARTS**

Code	※		
Body	Aluminium/ Cast CF8M		
Internals	Aluminium and Brass		
Guide Assembly	SS 304		
Shadow-Ring	Copper/ Silver/ None		
Plunger, Insert	SS 430		
Spring	SS 302		
Seat, Seals	NBR, Viton		
Fasteners	SS 304		

**AMBIENT AND FLUID TEMPERATURE**

-30 °C to 75 °C

**SPECIAL VERSION AND SUFFIX**

Suffix : (Valve) OX, AM  
Special version : (Solenoid) CO, FR, SS, LC, III, TM

**MEDIA**

Air, Inert Gases, Water, Vacuum, Free Flowing Liquid, Oil, Diesel, Kerosene, LPG, Furnace Oil

**APPLICATION**

Ideally suited for application where flow is expected to pass through valve in bi-direction. Vacuum breaking

**PORT CONNECTION**

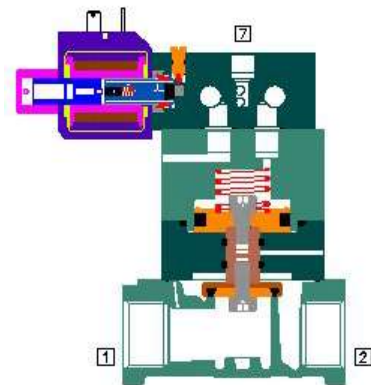
ACTION	INLET	OUTLET	PILOT INLET
NC	2 or 1	1or 2	7
NO	2 or 1	1or 2	7

Contact Rotex for

- Any other ambient, fluid temperature, media and application
- UL listed, Listed general purpose Valve



External pilot pressure should be minimum 2 bar or ≥ main fluid pressure which ever is higher.  
OIL Media Temperature Restricted from 0 °C to 100 °C



**SPARES**

(Refer page 25 for ordering code)

SPARE KIT	CODE
Seal Kit : Oring Set, Plunger Assembly	98
Repair Kit : Oring Set, Plunger Assembly, Springs, Manual Override, Piston Kit Guide Assembly	99
Solenoid Kit : Solenoid, Gasket	34

**APPROVAL**

(★ applied for)

Approval	TYPE 4X, 6P	IP67	Ex d IIC T4 or T5 or T6 IP66	Ex ia IIC T6 IP67	DGMS	CCOE
		✓	✓	✓	✓	✓
CE		✓	✓	✓		
UL	✓		*			
			✓	✓		
			✓	✓		
			✓	✓		



## 2/2 ISOLATED PISTON, EXTERNAL AIR OPERATED BI-DIRECTIONAL, NC/ NO SOLENOID VALVE

### SPECIFICATION

PORT CONNECTION			PRE-SSURE bar		ORIFICE (mm)	FLOW FACTOR Kv (LPM OF WATER @ 1 bar ΔP)	VALVE TYPE	PILOT PRESSURE	BODY MATERIAL AND INTERNALS		SEALS					MANUAL OVERRIDE		SOLENOID ENCLOSURE				SUFFIX		POWER VA		CONSTRUCTION REFERENCE NUMBER	
SIZE	BSP(F)	NPT(F)	MINIMUM	MAXIMUM					SS+Aluminium	BRASS	CF8M /Aluminium	NBR	Viton	EPDM	HYTREL	PTFE	NIL	STAYPUT CUM MOMENTARY	MOMENTARY	FLYING LEAD	PLUG IN, IP67	SQ. PLUG IN, IP67	TERMINAL BOX IP67	EXPLOSION PROOF IIC, IP67	LARGE ENCLOSURE		SOLENOID SIZE

#### 2/2 NORMALLY CLOSED

1/2"	4R	4G	0	12	12	60	23104	2-12	×	B18	×	S2				M0	×	M8	F	22	25	T	E	III	14	✓	✓	18	12	8	74
3/4"	6R	6G	0	12	20	110	23104	2-12	×	B18	×	S2				M0	×	M8	F	22	25	T	E	III	14	✓	✓	18	12	8	75
1"	8R	8G	0	12	25	185	23104V01	2-12	×	B18	×	S2				M0	×	M8	F	22	25	T	E	III	14	✓	✓	18	12	8	76
1 1/2"	12R	12G	0	12	40	400	23104V01	2-12	×			S2				M0	×	M8	F	22	25	T	E	III	14	✓	✓	18	12	8	77
2"	16R	16G	0	12	50	650	23104V01	2-12	×			S2				M0	×	M8	F	22	25	T	E	III	14	✓	✓	18	12	8	77

#### 2/2 NORMALLY OPEN

1/2"	4R	4G	0	12	12	60	23204	2-12	×			S2				M0	×	M8	F	22	25	T	E	III	14	✓	✓	18	12	8	74
3/4"	6R	6G	0	12	20	110	23204	2-12	×			S2				M0	×	M8	F	22	25	T	E	III	14	✓	✓	18	12	8	75
1"	8R	8G	0	12	25	185	23204V01	2-12	×			S2				M0	×	M8	F	22	25	T	E	III	14	✓	✓	18	12	8	76

#### SOLENOID 14

Cable Entry	T		Ex d		Ex ia		E	
	19	17MS	39	87MS	66MS	58MS	58LTMS	
M20 x 1.5	19	17MS	39	87MS	66MS	58MS	58LTMS	
M25 x 1.5		17		87	66	58	58LT	
1/2" NPT	16	17NS	37	87NS	66NS	58NS	58LTNS	

Flying lead IP54	F
Flying lead IP67	01

× = Do not specify when opted for. Refer Page # 22 for Value of ×  
 ✓ = Options available

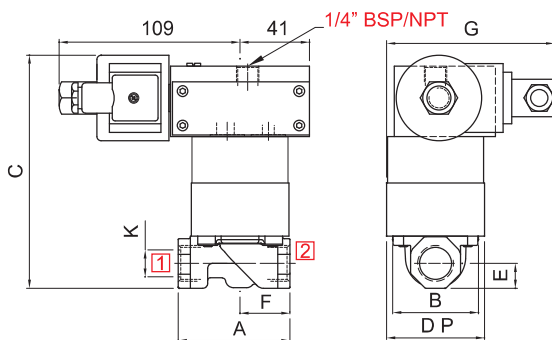
\* Valve type printed in red colour is external pilot air/ air operated valve

### ORDERING CODE AND EXAMPLE VALVE + SOLENOID

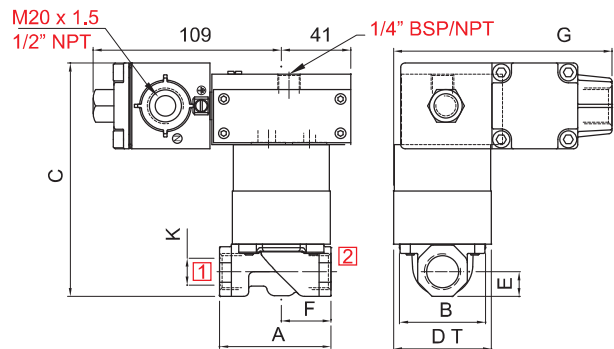
VALVE TYPE- SUFFIX - ORIFICE - PORT CONNECTION - BODY AND INTERNALS - MANUAL OVERRIDE - SEAL - MEDIA + SIZE - VOLTAGE - CURRENT - SOLENOID ENCLOSURE - SPECIAL VERSION - POWER - INSULATION - APPROVAL  
 e.g. 23104V01-25-8G+I-220V-50Hz-22; 23104-20-6R-S2-M8+III-24V DC-25

### DIMENSIONS

All Dimensions are in mm



PLUG IN SOLENOID TYPE 22/ 25



TERMINAL BOX/ EX d/ LARGE ENCLOSURE, TYPE 16, 19, 37, 39, 58, 58LT

NW	K (PORT SIZE)	A	B	C	D	P	E	F	G	CONST. REF.	G
VALVE TYPE : 23104, 23204											
12	1/2"	65	50	136	57	15	29	98	127	74	
20	3/4"	84	64	157	63	17	42	102	131	75	
25	1"	110	95	179	80	25	52	118	147	76	