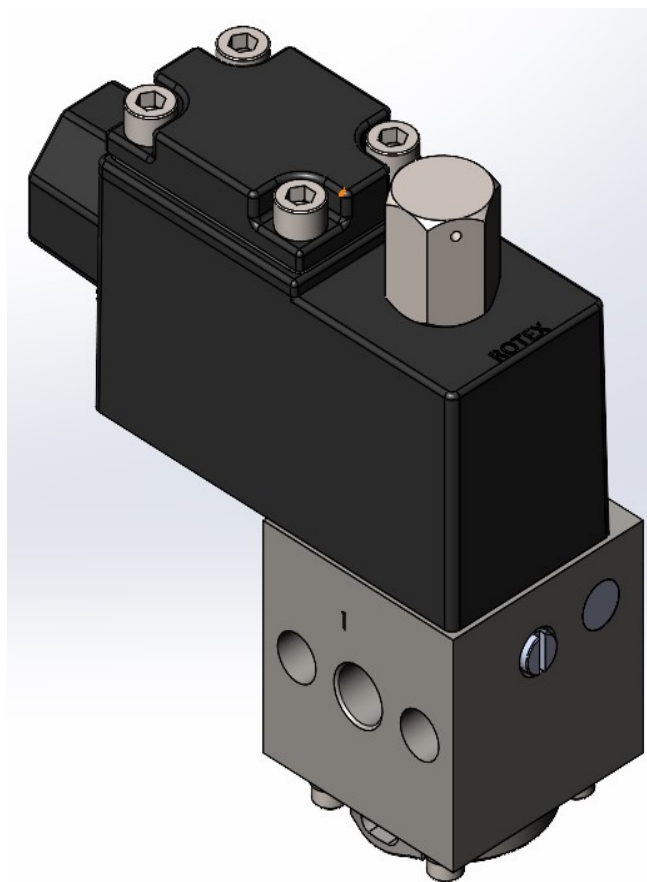


## 30120 – 3/2 Direct Acting, Normally Closed, Quick Exhaust Solenoid Valve

ROTEX is known as a manufacturer for high quality solenoid operated valves for many years. ROTEX products have found way in many demanding applications all over the world.

ROTEX now introduce 30120-2.2.



VALVE TYPE	FUNCTION	INLET	OUTLET	EXHAUST
30120	NC	1	2	3

## WORKING PRINCIPLE

In de-energized condition of the solenoid, applied pressure at Inlet port #1, media passed up to the duse hole, which is blocked by plunger assembly. In this state Inlet Port #1 and Outlet Port #2 are disconnected. Media from the Outlet Port #2 pushes the Seal upwards. Thus, Outlet Port #2 and Exhaust Port #3 are connected.

In energized condition of the solenoid, plunger assembly moves up, thus the media pressure comes out from the duse and act on the seal. Thus, seal moves downwards. In this state Inlet Port #1 and Outlet Port #2 are connected. Outlet Port #2 and Exhaust Port #3 are disconnected.

## ADVANTAGE

This can substantially increase the service life of rack and pinion actuators by protecting the spring chamber, seals and springs.

It increases the fail position speed of spring return pneumatic actuators.

## TECHNICAL FEATURES

- Bubble tight shut OFF.
- Vibration resistance up to 9g.
- Life 1 million cycles.

## TECHNICAL SPECIFICATION

VALVE	
<b>TYPE</b>	3/2 Direct Acting, Normally Closed, Quick Exhaust Solenoid Valve
<b>BASIC MODEL</b>	30120-2.2
<b>MEDIA</b>	AIR/INERT GAS
<b>BODY MATERIAL</b>	ALUMINUM
<b>SEALING</b>	NBR
<b>WORKING PRESSURE</b>	0 to 12 bar
<b>ORIFICE</b>	2.2 mm
<b>FLOW FACTOR</b>	Inlet to Outlet = 1.6 lpm Outlet to Exhaust = 10 lpm
<b>CONNECTION</b>	1/4" BSP/ NPT (F)
<b>AMBIENT TEMPERATURE</b>	-20 °C to 80 °C

<b>SOLENOID</b>	
<b>Voltage – Current</b>	DC 12V, 24V, 48V, 110V, 220V
	AC (50Hz/ 60Hz) 24V, 110V, 120V, 230V, 240V
	AC/ DC 24V, 110V, 230V
<b>POWER</b>	8W/6W
<b>PROTECTION</b>	Weather Proof IP67 Explosion Proof Ex d, Ex ia, Ex e mb, IIC, T6/ T5/ T4 IP67
<b>CABLE ENTRY</b>	M20X1.5/ 1/2" NPT/ M25X1.5

## VALVE ORDERING CODE

VALVE TYPE	ORIFICE	PORT CONNECTION
30120	2.2	2R/2G- 1/4" NPT/BSP (F)

BODY MATERIAL	MANUAL OVERRIDE	SEAL	MEDIA
0- ALUMINUM	* - PUSH & TURN	*-NBR	AIR, INERT GAS
	M0- NO MANUAL OVERRIDE		
	M8- PUSH TYPE		

### ORDERING STRING: -

- 30120-2.2-2G+I-24V-DC-16.