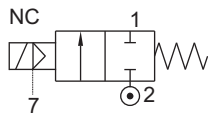
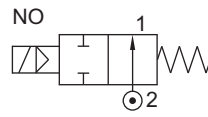


**2/2 POPPET TYPE, INTERNAL/ EXTERNAL PILOT, NC/ NO SOLENOID VALVE**

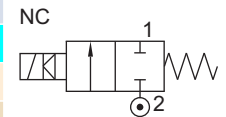
TYPE	PRESSURE
22101	0 - 20 bar



TYPE	PRESSURE
21201	0.7 - 10 bar
21202	1 - 20 bar
21203	2 - 40 bar



TYPE	PRESSURE
21101	0.7 - 10 bar
21102	1 - 20 bar
21103	2 - 40 bar

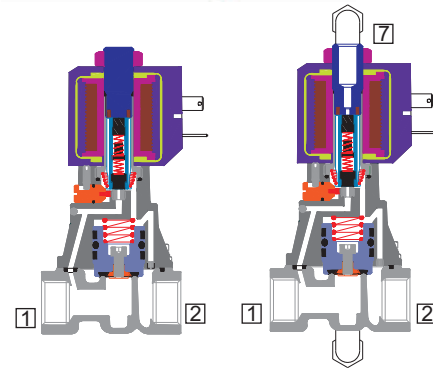


**FEATURES**

- Bubble tight shut off
- Vibration resistance up to 9g
- Suitable for high speed cycling
- Speed up to 400 cycles/ min
- Life >10 million cycles

**WETTED PARTS**

Code	✕	B12	B13
Body	CF8	CF8M	CF8
Internals	BRASS	SS316	SS316
Guide Assembly	SS 304		
Shadow-Ring	Copper/ Silver/ None		
Plunger, Insert	SS 430		
Spring	SS 302		
Seat, Seals	NBR, Viton, EPDM		
Fasteners	SS 304		



**AMBIENT AND FLUID TEMPERATURE**

-30 °C to 75 °C

**SPECIAL VERSION AND SUFFIX**

Suffix : (Valve) AM, LC  
Special version : (Solenoid) CO, FR, SS, LC, III, TM

**MEDIA**

Air, Inert Gases, Water, Free Flowing  
Liquid, Oil, Diesel, Kerosene, LPG

**APPLICATION**

High ON/ OFF Cycles

**PORT CONNECTION**

ACTION	INLET	OUTLET	EXTERNAL PILOT INLET
NC	2	1	7
NO	2	1	

Contact Rotex for

- Any other ambient, fluid temperature, media and application
- UL listed, Listed general purpose Valve
- PED approved valve Orifice 25mm & Higher



For Valve type 22101 External pilot pressure should be minimum 2 bar or ≥ Main pressure whichever is higher.

**SPARES**

(Refer page 25 for ordering code)

SPARE KIT	CODE
Seal Kit : Oring Set and Plunger Assembly	98
Repair Kit : Oring Set, Plunger Assembly, Springs, Manual Override, Piston Kit, Guide Assembly	99
Solenoid Kit : Solenoid, Gasket and Nut	34

**APPROVAL**

(\* applied for)

Approval	TYPE 4X, 6P	IP67	Ex d IIC T4 or T5 or T6 IP66	Ex ia IIC T6 IP67	DGMS	CCOE
		✓	✓	✓	✓	✓
CE		✓	✓	✓		
UL	✓		*			
			✓	✓		
ERC			✓	✓		
			✓	✓		

6



## 2/2 POPPET TYPE, INTERNAL/ EXTERNAL PILOT, NC/ NO SOLENOID VALVE

### SPECIFICATION

PORT CONNECTION			PRE-SURE bar		ORIFICE (mm)	FLOW FACTOR kv (LPM OF WATER @ 1 bar ΔP)	VALVE TYPE	PILOT PRESSURE	BODY MATERIAL AND INTERNALS					SEALS					MANUAL OVERRIDE			SOLENOID ENCLOSURE				SUFFIX		POWER VA			CONSTRUCTION REFERENCE NUMBER
SIZE	BSP(F)	NPT(F)	MINIMUM	MAXIMUM					CF8M & SS316	BRASS	CF8 & SS316	NBR	Viton	EPDM	HYTREL	PTFE	NIL	STAYPUT CUM MOMENTARY	MOMENTARY	FLYING LEAD	PLUG IN, IP67	SQ. PLUG IN, IP67	TERMINAL BOX IP67	EXPLOSIONPROOF IIC, IP67	LARGE ENCLOSURE	SOLENOID SIZE	OXYGEN	AMMONIA	AC INRUSH	AC HOLDING	

#### 2/2 NORMALLY CLOSED

1/2"	4G	4R	0.7	10	12	60	21101		B12	B2	B13	*	S2	S1		M0	*	M8	F	22	25	T	E	III	14		✓	18	12	8	57
			1	20	12	60	21102		B12	B2	B13	*	S2	S1		M0	*	M8	F	22	25	T	E	III	14		✓	18	12	8	57
			0	20	12	60	22101	2-20	B12	B2	B13	*	S2	S1		M0	*	M8	F	22	25	T	E	III	14		✓	18	12	8	57
			2	40	12	60	21103V01		B12	B2	B13	*	S2	S1		*		F		25	T	E	III	14		✓	18	12	8	57	
3/4"	6G	6R	0.7	10	20	110	21101		B12	B2	B13	*	S2	S1		M0	*	M8	F	22	25	T	E	III	14		✓	18	12	8	58
			1	20	20	110	21102		B12	B2	B13	*	S2	S1		M0	*	M8	F	22	25	T	E	III	14		✓	18	12	8	58
			0	20	20	110	22101	2-20	B12	B2	B13	*	S2	S1		M0	*	M8	F	22	25	T	E	III	14		✓	18	12	8	58
			2	40	20	110	21103V01		B12	B2	B13	*	S2	S1		*		F		25	T	E	III	14		✓	18	12	8	58	
1"	8G	8R	0.7	10	25	185	21101V01		B12	B2	B13	*	S2	S1		M0	*	M8	F	22	25	T	E	III	14		✓	18	12	8	59
			1	20	25	185	21102V01		B12	B2	B13	*	S2	S1		M0	*	M8	F	22	25	T	E	III	14		✓	18	12	8	59
			0	20	25	185	22101V01	2-20	B12	B2	B13	*	S2	S1		M0	*	M8	F	22	25	T	E	III	14		✓	18	12	8	59
			2	40	25	185	21103V01		B12	B2	B13	*	S2	S1		*		F		25	T	E	III	14		✓	18	12	8	59	
1 1/4"	10G	10R	0.7	10	40	400	21101		B12	B2	B13	*	S2	S1		M0	*	M8	F	22	25	T	E	III	14		✓	18	12	8	60
			1	20	40	400	21102		B12	B2	B13	*	S2	S1		M0	*	M8	F	22	25	T	E	III	14		✓	18	12	8	60
			0	20	40	400	22101	2-20	B12	B2	B13	*	S2	S1		M0	*	M8	F	22	25	T	E	III	14		✓	18	12	8	60
			2	40	40	400	21103V01		B12	B2	B13	*	S2	S1		*		F		25	T	E	III	14		✓	18	12	8	60	
1 1/2"	12G	12R	0.7	10	40	440	21101		B12	B2	B13	*	S2	S1		M0	*	M8	F	22	25	T	E	III	14		✓	18	12	8	61
			1	20	40	440	21102		B12	B2	B13	*	S2	S1		M0	*	M8	F	22	25	T	E	III	14		✓	18	12	8	61
			0	20	40	440	22101	2-20	B12	B2	B13	*	S2	S1		M0	*	M8	F	22	25	T	E	III	14		✓	18	12	8	61
			2	40	40	440	21103V01		B12	B2	B13	*	S2	S1		*		F		25	T	E	III	14		✓	18	12	8	61	
2"	16G	16R	0.7	10	50	650	21101V01		B12	B2	B13	*	S2	S1		M0	*	M8	F	22	25	T	E	III	14		✓	18	12	8	62
			1	20	50	650	21102V01		B12	B2	B13	*	S2	S1		M0	*	M8	F	22	25	T	E	III	14		✓	18	12	8	62
			0	20	50	650	22101V01	2-20	B12	B2	B13	*	S2	S1		M0	*	M8	F	22	25	T	E	III	14		✓	18	12	8	62
			2	40	50	650	21103V01		B12	B2	B13	*	S2	S1		*		F		25	T	E	III	14		✓	18	12	8	62	

#### 2/2 NORMALLY OPEN

1/2"	4G	4R	0.7	10	12	60	21201		B12	B2	B13	*	S2	S1		M0	*	M8	F	22	25	T	E	III	14		✓	18	12	8	63
			1	20	12	60	21202		B12	B2	B13	*	S2	S1		M0	*	M8	F	22	25	T	E	III	14		✓	18	12	8	63
			2	40	12	60	21203V01		B12	B2	B13	*	S2	S1		*		F		25	T	E	III	14		✓	18	12	8	63	
3/4"	6G	6R	0.7	10	20	110	21201		B12	B2	B13	*	S2	S1		M0	*	M8	F	22	25	T	E	III	14		✓	18	18	8	64
			1	20	20	110	21202		B12	B2	B13	*	S2	S1		M0	*	M8	F	22	25	T	E	III	14		✓	18	18	8	64
			2	40	20	110	21203V01		B12	B2	B13	*	S2	S1		*		F		25	T	E	III	14		✓	18	12	8	64	
1"	8G	8R	0.7	10	25	185	21201V01		B12	B2	B13	*	S2	S1		M0	*	M8	F	22	25	T	E	III	14		✓	18	18	8	65
			1	20	25	185	21202V01		B12	B2	B13	*	S2	S1		M0	*	M8	F	22	25	T	E	III	14		✓	18	12	8	65
			2	40	25	185	21203V01		B12	B2	B13	*	S2	S1		*		F		25	T	E	III	14		✓	18	12	8	65	
1 1/4"	10G	10R	0.7	10	40	400	21201		B12	B2	B13	*	S2	S1		M0	*	M8	F	22	25	T	E	III	14		✓	18	18	8	66
			1	20	40	400	21202		B12	B2	B13	*	S2	S1		M0	*	M8	F	22	25	T	E	III	14		✓	18	18	8	66
			2	40	40	400	21203V01		B12	B2	B13	*	S2	S1		*		F		25	T	E	III	14		✓	18	12	8	66	
1 1/2"	12G	12R	0.7	10	40	440	21201		B12	B2	B13	*	S2	S1		M0	*	M8	F	22	25	T	E	III	14		✓	18	12	8	67
			1	20	40	440	21202		B12	B2	B13	*	S2	S1		M0	*	M8	F	22	25	T	E	III	14		✓	18	12	8	67
			2	40	40	440	21203V01		B12	B2	B13	*	S2	S1		*		F		25	T	E	III	14		✓	18	12	8	67	
2"	16G	16R	0.7	10	50	650	21201V01		B12	B2	B13	*	S2	S1		M0	*	M8	F	22	25	T	E	III	14		✓	18	12	8	68
			1	20	50	650	21202V01		B12	B2	B13	*	S2	S1		M0	*	M8	F	22	25	T	E	III	14		✓	18	12	8	68
			2	40	50	650	21203V01		B12	B2	B13	*	S2	S1		*		F		25	T	E	III	14		✓	18	12	8	68	

SOLENOID 14					
Cable Entry	T	E			
		0cA	0cA	0cA	0cA
M20 x 1.5	FJ	FITU	HU	ITU	ITU
M25 x 1.5	F	I	I	I	I
1/2" NPT	F	I	I	I	I

Flying lead IP54	*
Flying lead IP67	01

\* = Do not specify when opted for. Refer Page #22 for Value of \*  
 ✓ = Options available  
 \* Valve type printed in red colour is external pilot air/ air operated valve



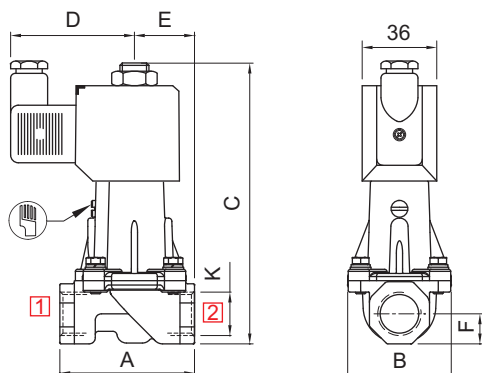
## 2/2 POPPET TYPE, INTERNAL/ EXTERNAL PILOT, NC/ NO SOLENOID VALVE

### ORDERING CODE VALVE + SOLENOID

TYPE - SUFFIX - ORIFICE - PORT CONNECTION - BODY AND INTERNALS - MANUAL OVERRIDE - SEAL + SIZE - VOLTAGE - CURRENT - SOLENOID ENCLOSURE - APPROVAL - INSULATION - SPECIAL VERSION  
e.g. 21101-12-4G+12V DC-22; 21101-20-6R-B2+110V-50Hz 16-III

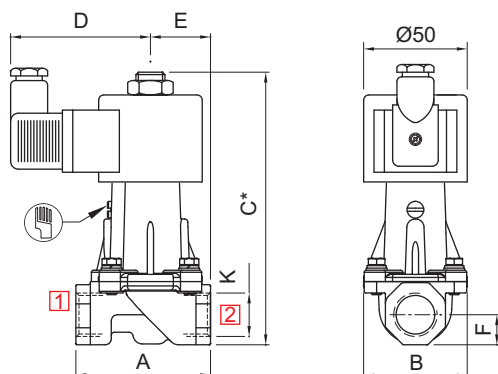
### DIMENSIONS

All Dimensions are in mm



#### PLUG IN SOLENOID TYPE 22

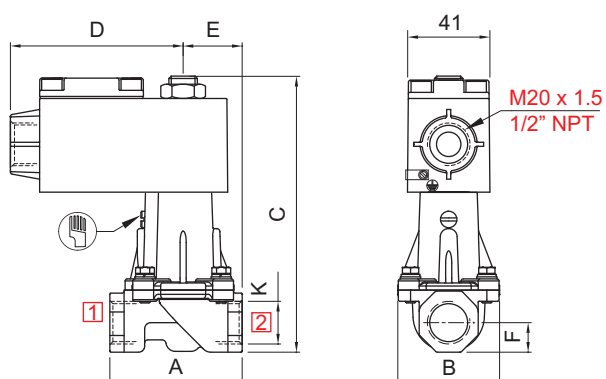
NW	K (PORT SIZE)	A	B	C	D	E	F	CONST. REF.
VALVE TYPE : 21101, 21102, 22101								
12	1/2", 3/8", 1/4"	65	50	136	60	29	15	57
20	1/2"	84	64	149	60	42	17	58
20	3/4"	84	64	149	60	42	17	58
25	1"	110	95	167	60	51	25	59
40	1 1/4"	135	94	188	60	66	30	60
40	1 1/2"	135	94	188	60	66	30	61
50	2"	165	170	224	60	76	38	62



#### SQUARE PLUG IN SOLENOID TYPE 25

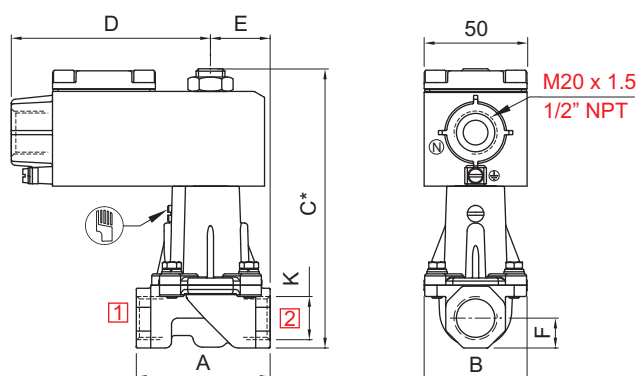
NW	K (PORT SIZE)	A	B	C*	D	E	F	CONST. REF.
VALVE TYPE : 21101, 21102, 21103*, 22101								
12	1/2", 3/8", 1/4"	65	50	136	68	29	15	57
20	1/2"	84	64	149	68	42	17	58
20	3/4"	84	64	149	68	42	17	58
25	1"	110	95	167	68	51	25	59
40	1 1/4"	135	94	188	68	66	30	60
40	1 1/2"	135	94	188	68	66	30	61
50	2"	165	170	224	68	76	38	62

\*C = C + 20 FOR VALVE TYPE 21103



#### TERMINAL BOX/ Ex d ENCLOSURE, TYPE 16, 19, 37, 39, 58, 58LT

NW	K (PORT SIZE)	A	B	C	D	E	F	CONST. REF.
VALVE TYPE : 21101, 21102, 22101								
12	1/2", 3/8", 1/4"	65	50	136	85	29	15	57
20	1/2"	84	64	149	85	42	17	58
20	3/4"	84	64	149	85	42	17	58
25	1"	110	95	167	85	51	25	59
40	1 1/4"	135	94	188	85	66	30	60
40	1 1/2"	135	94	188	85	66	30	61
50	2"	165	170	224	85	76	38	62



#### TERMINAL BOX/ Ex d LARGE ENCLOSURE, TYPE 16, 19, 37, 39, 58, 58LT, LC

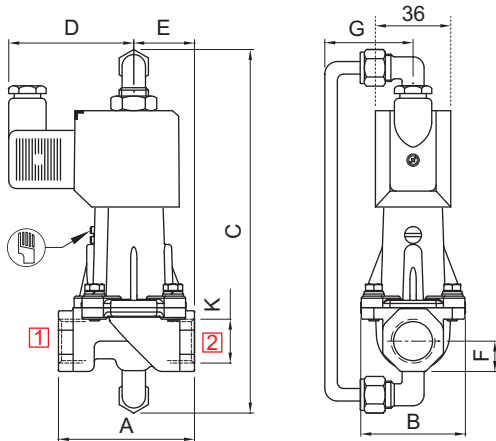
NW	K (PORT SIZE)	A	B	C*	D	E	F	CONST. REF.
VALVE TYPE : 21101, 21102, 21103*, 21202								
12	1/2", 3/8", 1/4"	65	50	136	97	29	15	57
20	1/2"	84	64	149	97	42	17	58
20	3/4"	84	64	149	97	42	17	58
25	1"	110	95	167	97	51	25	59
40	1 1/4"	135	94	188	97	66	30	60
40	1 1/2"	135	94	188	97	66	30	61
50	2"	165	170	224	97	76	38	62

\*C = C + 20 FOR VALVE TYPE 21103

## 2/2 POPPET TYPE, INTERNAL/ EXTERNAL PILOT, NC/ NO SOLENOID VALVE

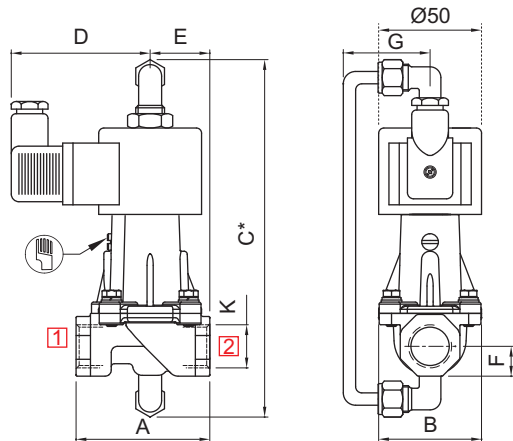
### DIMENSIONS

All Dimensions are in mm



#### PLUG IN SOLENOID TYPE 22

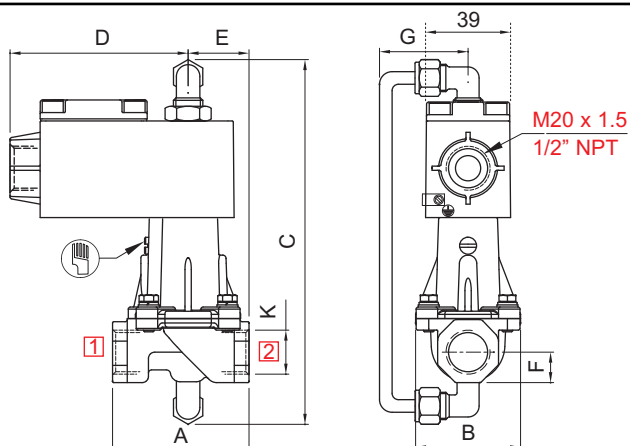
NW	K (PORT SIZE)	A	B	C	D	E	F	G	CONST. REF.
VALVE TYPE : 21201, 21202, 21203*									
12	1/2", 3/8", 1/4"	65	50	176	60	29	15	42	63
20	1/2"	84	64	189	60	42	17	48	64
20	3/4"	84	64	189	60	42	17	48	64
25	1"	110	95	207	60	51	25	61	65
40	1 1/4"	135	94	188	60	66	30	61	66
40	1 1/2"	135	94	188	60	66	30	61	67
50	2"	165	170	264	60	76	38	101	68



#### SQUARE PLUG IN SOLENOID TYPE 25

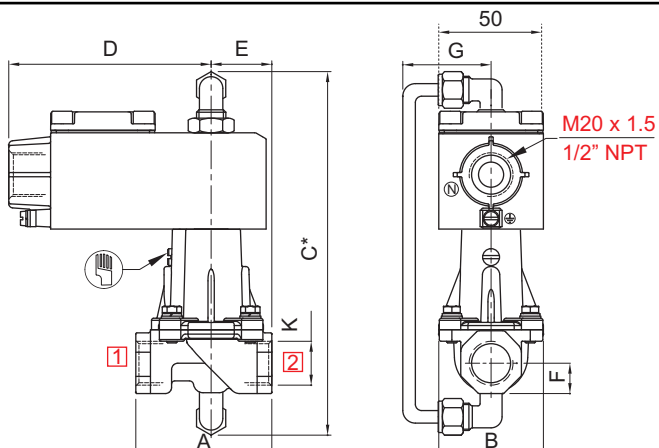
NW	K (PORT SIZE)	A	B	C*	D	E	F	G	CONST. REF.
VALVE TYPE : 21201									
12	1/2", 3/8", 1/4"	65	50	176	68	29	15	42	63
20	1/2"	84	64	189	68	42	17	48	64
20	3/4"	84	64	189	68	42	17	48	64
25	1"	110	95	207	68	51	25	61	65
40	1 1/4"	135	94	188	68	66	30	61	66
40	1 1/2"	135	94	188	68	66	30	61	67
50	2"	165	170	264	68	76	38	101	68

\*C = C + 20 FOR VALVE TYPE 21203



#### TERMINAL BOX/ Ex d ENCLOSURE, TYPE 16, 19, 37, 39, 58, 58LT

NW	K (PORT SIZE)	A	B	C	D	E	F	G	CONST. REF.
VALVE TYPE : 21201, 21202									
12	1/2", 3/8", 1/4"	65	50	176	85	29	15	42	63
20	1/2"	84	64	189	85	42	17	48	64
20	3/4"	84	64	189	85	42	17	48	64
25	1"	110	95	207	85	51	25	61	65
40	1 1/4"	135	94	188	85	66	30	61	66
40	1 1/2"	135	94	188	85	66	30	61	67
50	2"	165	170	264	85	76	38	101	68



#### TERMINAL BOX/ Ex d LARGE ENCLOSURE, TYPE 16, 19, 37, 39, 58, 58LT, LC

NW	K (PORT SIZE)	A	B	C*	D	E	F	G	CONST. REF.
VALVE TYPE : 21201, 21202, 21203*									
12	1/2", 3/8", 1/4"	65	50	176	97	29	15	42	63
20	1/2"	84	64	189	97	42	17	48	64
20	3/4"	84	64	189	97	42	17	48	64
25	1"	110	95	207	97	51	25	61	65
40	1 1/4"	135	94	188	97	66	30	61	66
40	1 1/2"	135	94	188	97	66	30	61	67
50	2"	165	170	264	97	76	38	101	68

\*C = C + 20 FOR VALVE TYPE 21203