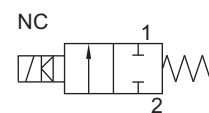


28 NB PULSE JET SOLENOID VALVE

TYPE	PRESSURE

TYPE	PRESSURE

TYPE	PRESSURE
24108	0.5 - 8.5 bar
24108ET	0.5 - 8.5 bar



FEATURES

- Hytrel Diaphragm
- Larger exhaust area protected with silencer for reducing noise
- Solenoid capable of turning 360°

WETTED PARTS

Code	※	B12
Body and Internals	Aluminium Die Cast	SS 316 Cast
Guide Assembly	SS 304	
Shadow-Ring	Copper	
Plunger, Insert	SS 430	
Diaphragm	Hytrel, Viton, NBR	
Fasteners	SS 304	
Seat, Seals	NBR, Viton, PTFE	

SPECIFICATION



RESPONSE TIME 30 ms
MINIMUM ELECTRICAL PULSE 50 ms

AMBIENT TEMPERATURE

-5 °C to 85 °C

FLUID TEMPERATURE

-5 °C to 85 °C

SPECIAL VERSIONS AND SUFFIX

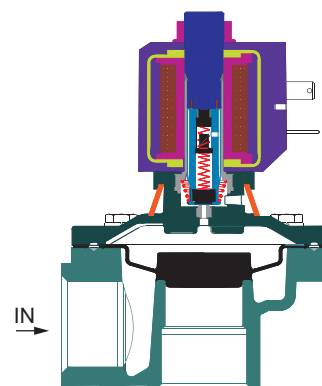
Suffix : (Valve) AM
Special versions : (Solenoid) CO, FR, SS

PORT CONNECTION

FUNCTION	INLET	OUTLET
NC	2	1

Contact Rotex for

- Any other Ambient, Fluid Temperature, Media and application



SPARES (Refer page 25 for ordering code)

SPARE KIT	CODE
Diaphragm Kit : Diaphragm Kit	100
Seal Kit : Oring Set, Diaphragm Kit, Plunger Assembly	98
Repair Kit : Oring Set, Diaphragm Kit, Plunger Assembly, Fastener, Springs, Silencer, Guide Assembly	99
Solenoid Kit : Solenoid, Gasket and Nut	34

APPROVAL (* applied for)

Approval	TYPE 4X, 6P	IP67	Ex d IIC T4 or T5 or T6 IP66	Ex ia IIC T6 IP67	DGMS	CCOE
		✓	✓		✓	✓
		✓	✓			
	✓		*			
			✓			
			✓			
			✓			



28 NB PULSE JET SOLENOID VALVE

SPECIFICATION

PORT CONNECTION		PRE-SSURE bar		ORIFICE (mm)	FLOW FACTOR kv (LPM OF WATER @ 1 bar ΔP)	VALVE TYPE	PILOT PRESSURE	BODY MATERIAL AND INTERNALS				SEALS			MANUAL OVERRIDE		SOLENOID ENCLOSURE		POWER VA			CONSTRUCTION REFERENCE NUMBER
SIZE	BSP(F)	NPT(F)	MINIMUM					MAXIMUM	ALUMINIUM	ALUMINIUM + SS	BRASS (STD. PORT NPT)	SS 316/CF8 (STD. PORT NPT)	NBR	EPDM	HYTREL	PTFE	NIL	STAYPUT CUM MOMENTARY	MOMENTARY	WEATHER PROOF	EXPLOSION PROOF	
INTEGRAL PILOT																						
3/4"	6G	6R	0.5	8.5	28	280	24108	*		B12	80	82	*			22	T E	14	18	12	8	P3
3/4"	6G	6R	0.5	8.5	28	280	24108ET	*		B12	80	82	*			22	T E	14	18	12	8	P3
1"	8G	8R	0.5	8.5	28	310	24108	*		B12	80	82	*			22	T E	14	18	12	8	P3
1"	8G	8R	0.5	8.5	28	310	24108ET	*		B12	80	82	*			22	T E	14	18	12	8	P3

Cable Entry	T	E	
		Öc/Ä	Öc/Ä / ä
M20 x 1.5	FJ	HU	İİTÜ
M25 x 1.5		İİ	İİSV
1/2" NPT	Fİ	H	İİPÜ

* = Do not specify when opted for. Refer Page # 22 for Value of *

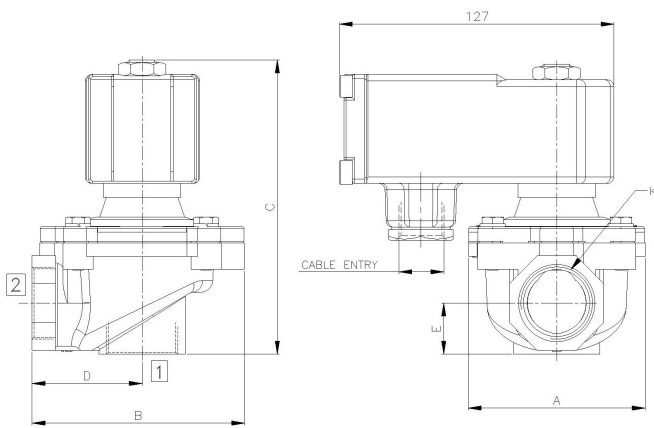
ORDERING CODE, EXAMPLE VALVE + SOLENOID

TYPE – ORIFICE – PORT CONNECTION – BODY AND INTERNALS – SEAL + VOLTAGE – CURRENT – SOLENOID ENCLOSURE – APPROVAL – INSULATION
 e.g. 24108-28-8G+110V 50Hz-16, 24108ET-28-8G-S8+110V 50Hz-16

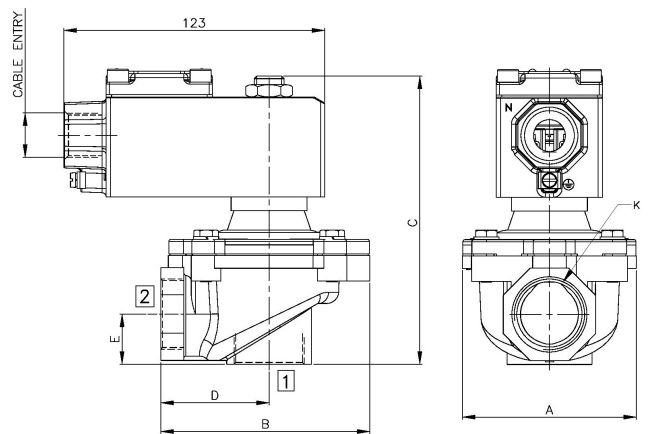
DIMENSIONS

All Dimensions are in mm

CONSTRUCTION REFERENCE P3



Ex ia SOLENOID WITH BOOSTER CIRCUIT



TERMINAL BOX/ Ex d TYPE 16, 19, 37, 39, 58, 58LT

VALVE TYPE	PIPE CONN.	A	B	C	D	E
24108-28	3/4"	82	99	135	51	24
24108-28	1"	82	99	135	51	24

VALVE TYPE	PIPE CONN.	A	B	C	D	E
24108ET-28	3/4"	82	99	135	51	24
24108ET-28	1"	82	99	135	51	24

