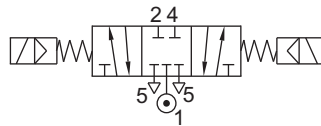


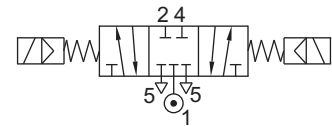
**SERIES : 32P**

**5/3 INTERNAL PILOT OPERATED, CENTER OFF POPPET SOLENOID VALVE**

TYPE	PRESSURE
51412	3 - 10 bar



TYPE	PRESSURE
51408	2 - 10 bar



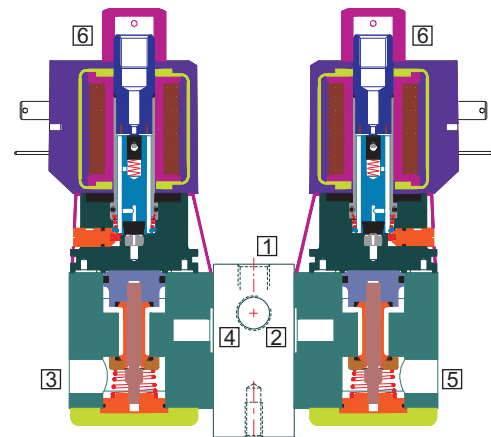
**FEATURES**

- Bubble tight shut off
- Mounts in any position
- Vibration resistance up to 9g
- Suitable for high speed cycling
- Speed up to 600 cycles/ min
- Life >10 million cycles



**WETTED PARTS**

Code	※	B1	B2	B5
Body	Anodized Aluminium	Anodized Aluminium	Brass	SS 316
Internals	Aluminium, Brass and SS 316	SS 316	Brass and SS 316	SS 316
Guide Assembly	SS 304			
Shadow-Ring	Copper/ Silver/ None			
Plunger, Insert	SS 430			
Spring/ Circlip	SS 302			
Seat, Seals	NBR, Viton, F.Silicon			
Fasteners	SS 304			



**AMBIENT AND FLUID TEMPERATURE**

-30 °C to 75 °C

**SPECIAL VERSION AND SUFFIX**

Suffix : (Valve) AM  
Special version : (Solenoid) CO, FR, SS, III

**MEDIA**

Air, Inert Gases

**APPLICATION**

Double acting actuator/ Cylinder, control valve proportionate actuation

**PORT CONNECTION**

INLET	OUTLET	OUTLET	EXHAUST	EXHAUST	PILOT EXHAUST
1	2	4	3	5	6

Contact Rotex for

- Any other ambient, fluid temperature, media and application
- UL listed, Listed general purpose Valve



**SPARES**

(Refer page 25 for ordering code)

SPARE KIT	CODE
Seal Kit : Oring Set and Plunger Assembly	98
Repair Kit : Oring Set, Plunger Assembly, Fastener, Springs, Manual Override Guide Assembly, Piston Kit	99
Solenoid Kit : Solenoid, Gasket and Nut	34

**APPROVAL**

(\* applied for)

Approval	TYPE 4X, 6P	IP67	Ex d IIC T4 or T5 or T6 IP66	Ex ia IIC T6 IP67	DGMS	CCOE
		✓	✓	✓	✓	✓
CE		✓	✓	✓		
UL	✓		*			
			✓	✓		
EAC			✓	✓		
			✓	✓		



## 5/3 INTERNAL PILOT OPERATED, CENTER OFF POPPET SOLENOID VALVE

### SPECIFICATION

SIZE	PORT CONNECTION		PRE-SURE bar		ORIFICE (mm)	FLOW FACTOR (Kv)	VALVE TYPE	PILOT PRESSURE	BODY MATERIAL AND INTERNALS				SEALS				MANUAL OVERRIDE		SOLENOID ENCLOSURE				SUFFIX		POWER VA		CONSTRUCTION REFERENCE NUMBER
	BSP(F)	NPT(F)	MINIMUM	MAXIMUM					ALUMINIUM	ALUMINIUM + SS	BRASS (STD. PORT NPT)	SS 316/CF8 (STD. PORT NPT)	NBR	Viton	EPDM	HYTREL	F Silicon	NIL	STAYPUT CUM MOMENTARY	MOMENTARY	FLYING LEAD	PLUG IN, IP67	SQ. PLUG IN, IP67	TERMINAL BOX IP67	EXPLOSION PROOF IIC, IP67	LARGE ENCLOSURE	
1/4"	2G	2R	2	10	6	12	51408	*	B2	B5	*	S2			M0	*	22	25	T	E	III	14	✓		12	8	572
3/8"	3G	3R	2	10	6	12	51408	*	B2	B5	*	S2			M0	*	22	25	T	E	III	14	✓		12	8	573
			2	10	10	38	51412	*	B2	B5	*	S2		S19	M0	*	22	25	T	E	III	14	✓		12	8	568
1/2"	4G	4R	2	10	6	12	51408	*	B2	B5	*	S2			M0	*	22	25	T	E	III	14	✓		12	8	573
			2	10	16	75	51412	*	B2	B5	*	S2		S19	M0	*	22	25	T	E	III	14	✓		12	8	569
3/4"	6G	6R	3	10	20	110	51412	*		B5	*	S2		S19	M0	*	22	25	T	E	III	14	✓		12	8	570
1"	8G	8R	3	10	25	185	51412	*		B5	*	S2		S19	M0	*	22	25	T	E	III	14	✓		12	8	571

#### SOLENOID 14

Cable Entry	T	Öc/A	Öc/B	Öc/C	Öc/D	Öc/E	Öc/F	Öc/G	Öc/H	Öc/I	Öc/J	Öc/K	Öc/L	Öc/M	Öc/N	Öc/O	Öc/P	Öc/Q	Öc/R	Öc/S	Öc/T	Öc/U	Öc/V	Öc/W	Öc/X	Öc/Y	Öc/Z
M20 x 1.5	F	J	H	I	T	U	V	W	X	Y	Z																
M25 x 1.5	F	I	J	K	L	M	N	O	P	Q	R	S	T	U	V	W	X	Y	Z								
1/2" NPT	F	H	I	J	K	L	M	N	O	P	Q	R	S	T	U	V	W	X	Y	Z							

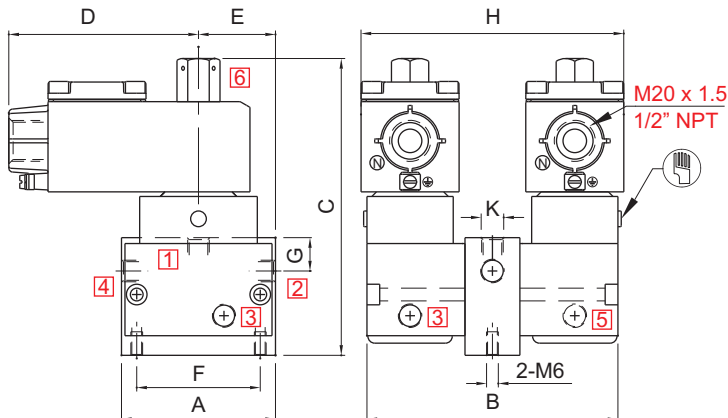
\* = Do not specify when opted for. Refer Page # 22 for Value of \*  
 ✓ = Options available

### ORDERING CODE AND EXAMPLE VALVE + SOLENOID

TYPE - SUFFIX - ORIFICE - PORT CONNECTION - BODY AND INTERNALS - MANUAL OVERRIDE - SEAL + SIZE - VOLTAGE - CURRENT - SOLENOID ENCLOSURE - APPROVAL - INSULATION - SPECIAL VERSION  
 e.g. 51408-6-2R-S2+220V 50Hz-16

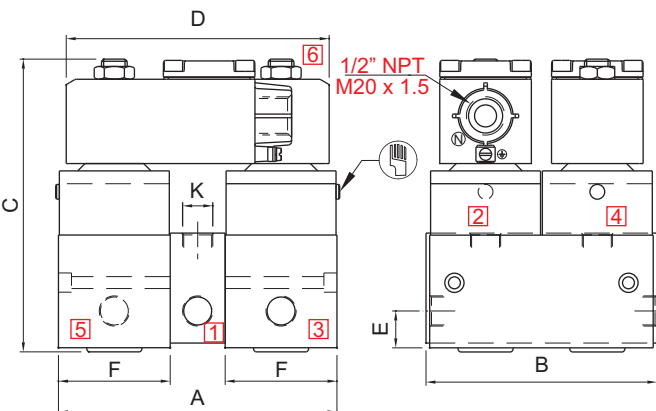
### DIMENSIONS

All Dimensions are in mm



TERMINAL BOX/ Ex d LARGE ENCLOSURE, TYPE 16, 19, 37, 39, 58, 58LT

NW	K (PORT SIZE)	A	B	C	D	E	F	G	H	CONST. REF.
VALVE TYPE : 51408										
6	1/4"	78	128	151	97	39	63	17	134	572
6	3/8"	78	132	151	97	39	63	13	138	573
6	1/2"	78	132	151	97	39	63	13	138	573



TERMINAL BOX/ Ex d LARGE ENCLOSURE, TYPE 16, 19, 37, 39, 58, 58LT

NW	K (PORT SIZE)	A	B	C	D	E	F	CONST. REF.
VALVE TYPE : 51412								
10	3/8"	152	126	160	144	20	61	568
16	1/2"	197	170	180	168	26	81	569
20	3/4"	202	170	197	173	28	81	570
25	1"	210	170	197	181	28	81	571

