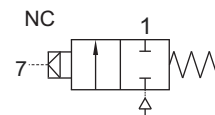


25 NB REMOTE PILOT PULSE JET VALVE

| TYPE | PRESSURE |
|------|----------|
| | |
| | |
| | |

| TYPE | PRESSURE |
|------|----------|
| | |
| | |
| | |

| TYPE | PRESSURE |
|-------|---------------|
| 26108 | 0.5 - 8.5 bar |
| | |
| | |



FEATURES

- Remote operation where electric supply not permitted
- Select valve type 20159 to operate the valve Refer page 369 to 372

WETTED PARTS

| Code | ※ | B5 |
|--------------------|--------------------|-------------|
| Body and Internals | Aluminium Die Cast | SS 316 Cast |
| Diaphragm | TPU, Viton | |
| Fasteners | SS 304 | |
| Seat, Seals | NBR, Viton | |

SPECIFICATION

| FLOW FACTOR | | |
|-------------|------|-----|
| SIZE | 3/4" | 1" |
| (kv) lpm | 280 | 310 |

RESPONSE TIME DEPENDS ON PILOT VALVE ORIFICE AND PIPE LENGTH BETWEEN PILOT AND VALVE

AMBIENT TEMPERATURE

-5 °C to 85 °C

FLUID TEMPERATURE

-5 °C to 85 °C

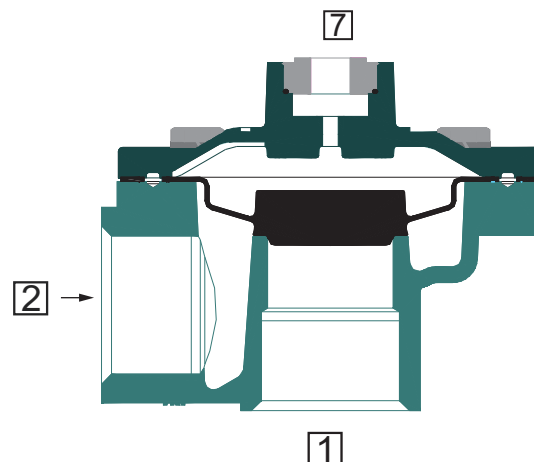
PORT CONNECTION

| INLET | OUTLET | PILOT |
|-------|--------|-------|
| 2 | 1 | 7 |

- Contact Rotex for
- Any other ambient, fluid temperature, media and application



Use 2/2 NC PILOT Type 20159, 3.5 mm orifice for operating this valve.



SPARES (Refer page 25 for ordering code)

| SPARE KIT | CODE |
|---|------|
| Diaphragm Kit : Diaphragm Kit | 100 |
| Seal Kit : Oring Set Diaphragm Kit | 98 |
| Repair Kit : Oring Set, Diaphragm Kit, Fastener | 99 |

11



25 NB REMOTE PILOT PULSE JET VALVE

SPECIFICATION

| SIZE | PORT CONNECTION | | PRE-SSURE bar | | ORIFICE (mm) | FLOW FACTOR kv (LPM OF WATER @ 1 bar ΔP) | VALVE TYPE | PILOT PRESSURE | BODY MATERIAL AND INTERNALS | | | | | DIAPHRAGM | | | MANUAL OVERRIDE | | SOLENOID ENCLOSURE | | SUFFIX | | POWER VA | | CONSTRUCTION REFERENCE NUMBER | | | | |
|--------------|-----------------|--------|---------------|---------|--------------|---|------------|----------------|-----------------------------|----------------|-----------------------|----------------------------|-----|-----------|------|--------|-----------------|-----|-----------------------|-----------|-------------|---------------|-------------------|-------------------|-------------------------------|-----------------------------------|-----------------|---------------|--------|
| | BSP(F) | NPT(F) | MINIMUM | MAXIMUM | | | | | ALUMINIUM | ALUMINIUM + SS | BRASS (STD. PORT NPT) | SS 316/CF8 (STD. PORT NPT) | NBR | Viton | EPDM | HYTREL | TPU | NIL | STAYPUT CUM MOMENTARY | MOMENTARY | FLYING LEAD | PLUG IN, IP67 | SQ. PLUG IN, IP67 | TERMINAL BOX IP67 | | FPJUB Ex d IIC, T4 OR T6, IP67 | LARGE ENCLOSURE | SOLENOID SIZE | OXYGEN |
| REMOTE PILOT | | | | | | | | | | | | | | | | | | | | | | | | | | | | | |
| 3/4" | 6G | 6R | 0.5 | 8.5 | 28 | 280 | 26108 | × | | B12 | S2 | S25 | | | | | | | | | | | | | | | | | P17 |
| 1" | 8G | 8R | 0.5 | 8.5 | 28 | 310 | 26108 | × | | B12 | S2 | S25 | | | | | | | | | | | | | | | | | P17 |

× = Do not specify when opted for. Refer Page # 22 for Value of ×
 ✓ = Options available

ORDERING CODE, EXAMPLE VALVE

TYPE - ORIFICE - PORT CONNECTION - BODY AND INTERNALS - SEAL
 e.g. 26108-28-6G-S25

DIMENSIONS All Dimensions are in mm

CONSTRUCTION REFERENCE P17

