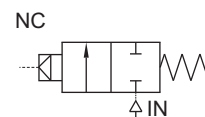


80 NB REMOTE PILOT TANK MOUNTED DOUBLE DIAPHRAGM PULSE JET VALVE

TYPE	PRESSURE

TYPE	PRESSURE

TYPE	PRESSURE
26114	0.5 - 8.5 bar



FEATURES

- Pulse jet valve with double Diaphragm for remote operation with fast ON and OFF response
- Select valve type 20159 to operate the valve
Refer to page 369 to 372
- Tank mounted



WETTED PARTS

Code	※	
Body and Internals	Aluminium Die Cast	
Diaphragm	Hytrel, Viton	
Fasteners	SS 304	
Seat, Seals	NBR, Viton	

SPECIFICATION

FLOW FACTOR

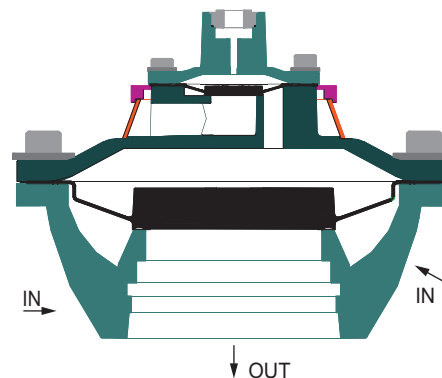
RESPONSE TIME DEPENDS ON PILOT VALVE ORIFICE AND PIPE LENGTH BETWEEN PILOT AND VALVE

AMBIENT TEMPERATURE

-5 °C to 85 °C

FLUID TEMPERATURE

-5 °C to 85 °C



SPARES

(Refer page 25 for ordering code)

SPARE KIT	CODE
Seal Kit : Oring Set, Diaphragm Kit	98
Repair Kit : Oring Set, Fastener, Diaphragm Kit	99

PORT CONNECTION

INLET	OUTLET	PILOT
2	1	3

- Contact Rotex for
- Any other ambient, fluid temperature, media and application



Use 2/2 NC PILOT Type 20159, 3.5mm orifice for operating this valve.

80 NB REMOTE PILOT TANK MOUNTED DOUBLE DIAPHRAGM PULSE JET VALVE

SPECIFICATION

SIZE	SUBBASE	PRE-SSURE bar		ORIFICE (mm)	FLOW FACTOR kv (LPM OF WATER @ 1 bar ΔP)	VALVE TYPE	PILOT PRESSURE	BODY MATERIAL AND INTERNALS					SEALS					MANUAL OVERRIDE		SOLENOID ENCLOSURE		SUFFIX		POWER VA		CONSTRUCTION REFERENCE NUMBER						
		MINIMUM	MAXIMUM					ALUMINIUM	ALUMINIUM + SS	BRASS	SS 316/CF8	NBR	Viton	EPDM	HYTREL	PTFE	NIL	STAYPUT CUM MOMENTARY	MOMENTARY	FLYING LEAD	PLUG IN, IP67	SQ. PLUG IN, IP67	TERMINAL BOX IP67	FPJB	Ex d IIC, T4 OR T6, IP67		LARGE ENCLOSURE	SOLENOID SIZE	OXYGEN	AMONIA	AC INRUSH	AC HOLDING
REMOTE PILOT																																
3"	SB	0.5	8.5	80	3000	26114	*																									P24

※ = Do not specify when opted for. Refer Page # 22 for Value of ※
 √ = Options available

ORDERING CODE, EXAMPLE VALVE

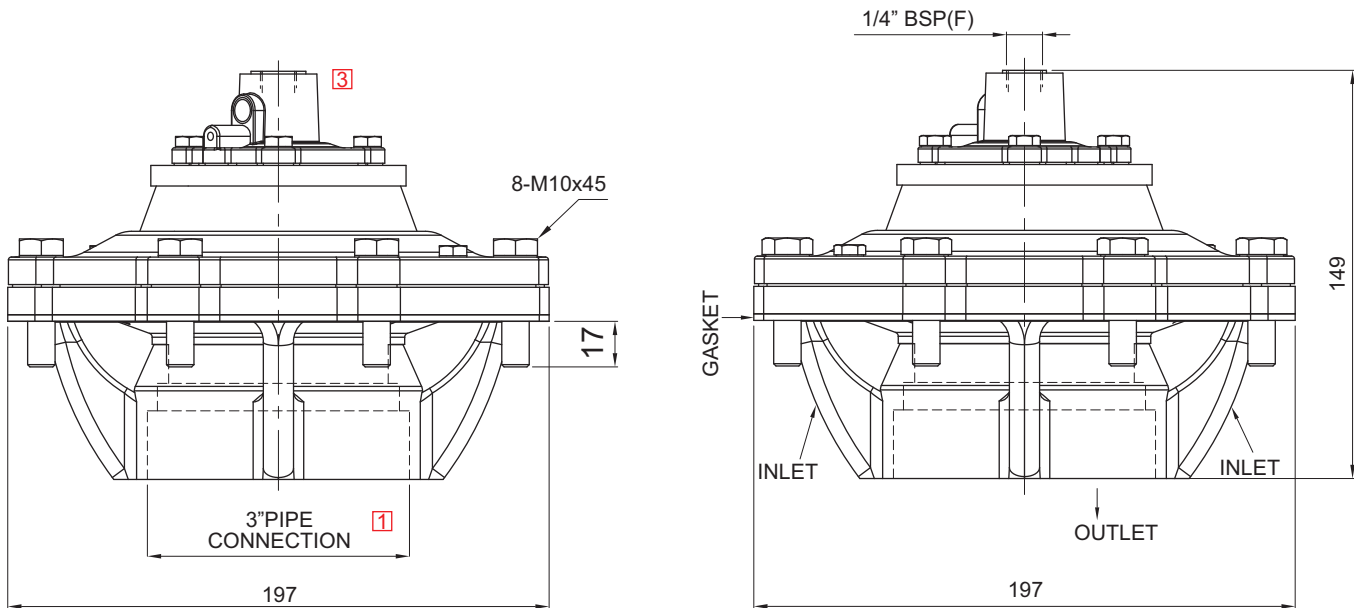
TYPE - ORIFICE - PORT CONNECTION - BODY AND INTERNALS - SEAL

e.g. 26114-80-5B

DIMENSIONS

All Dimensions are in mm

CONSTRUCTION REFERENCE P24



11

