

## 3/2 DIRECT ACTING SOLENOID VALVE

TYPE	PRESSURE	UNI	TYPE	PRESSURE	NO	TYPE	PRESSURE	NC
30301	0 - 14 bar		30201	0 - 20 bar		30125	0 - 20 bar	
30310	0 - 32 bar		30206	0 - 63 bar		30126	0 - 63 bar	

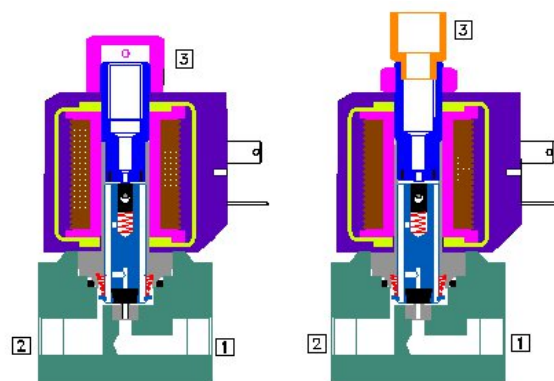
### FEATURES

- Bubble tight shut off
- Mounts in any position
- Suitable for vacuum up to 10<sup>-6</sup> torr
- Vibration resistance up to 9g
- Suitable for high speed cycling
- Speed up to 1000 cycles/ min
- Life >10 million cycles
- Manual override optionally provided



### WETTED PARTS

Code	✕	B2	B5
Body	Anodized Aluminium	Brass	SS 316
Internals	Aluminium	Brass	SS 316
Guide Assembly	SS 304		
Shadow-Ring	Copper/ Silver/ None		
Plunger, Insert	SS 430		
Spring	SS 302		
Seat, Seals	NBR, Viton, EPDM		



### AMBIENT AND FLUID TEMPERATURE

-30 °C to 75 °C

### SPECIAL VERSION AND SUFFIX

Suffix : (Valve) OX, AM  
Special version : (Coil) CO, FR, SS, LC, III, TM

### MEDIA

Air, Inert Gases, Water

### APPLICATION

Single acting actuator/ Cylinder/ control valve actuation  
Diverting/ mixing of fluid

### PORT CONNECTION

FUNCTION	INLET	OUTLET	EXHAUST
NC	1	2	3
NO	3	2	1
Mixing	1 and 3	2	
Diverting	2	1 and 3	

Contact Rotex for

- Any other ambient, fluid temperature, media and application
- UL listed, Listed general purpose Valve
- Media like Water, Light Oil etc.

### SPARES

(Refer page 25 for ordering code)

SPARE KIT	CODE
Seal Kit : Oring Set and Plunger Assembly	98
Repair Kit : Oring Set, Plunger Assembly, Springs, Manual Override, Guide Assembly	99
Solenoid Kit : Solenoid, Gasket and Nut	34

### APPROVAL

(✕ applied for)

Approval	TYPE 4X, 6P	IP67	Ex d IIC T4 or T5 or T6 IP66	Ex ia IIC T6 IP67	DGMS	CCOE
		✓	✓	✓	✓	✓
		✓	✓	✓		
	✓		*			
			✓	✓		
			✓	✓		
			✓	✓		

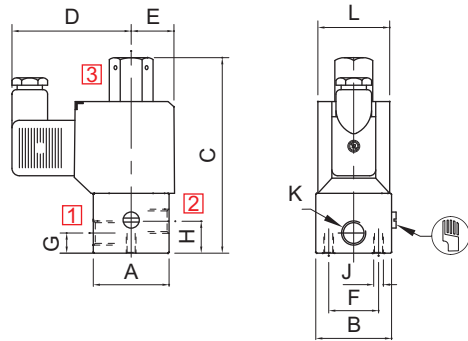




## 3/2 DIRECT ACTING SOLENOID VALVE

### DIMENSIONS

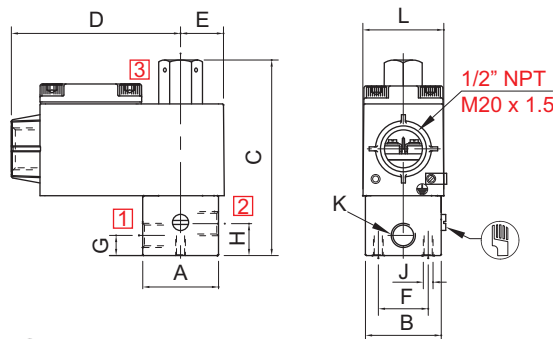
All Dimensions are in mm



MANUAL OVERRIDE OPTIONALLY PROVIDED

#### PLUG IN SOLENOID TYPE 22

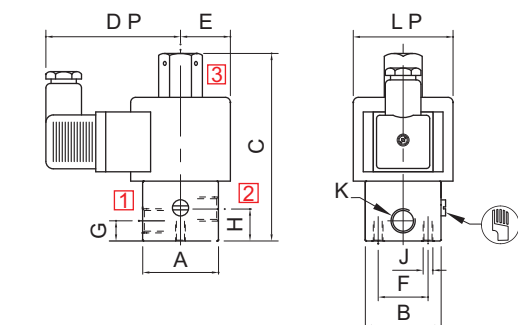
K (PORT SIZE)	A	B	C	D	E	F	G	H	J	L	BODY MATL.	CONST. REF.
VALVE TYPE : 30125												
1/8", 1/4"	38	38	98	60	25	25	10	16	M6	36	AL, BR	301
3/8", 1/2"	60	38	106	60	25	25	20.5	20.5	M6	36	AL, BR	302
1/8", 1/4"	44	Ø48	102	60	25	25	17	10.5	M6	36	SS	303
3/8", 1/2"	58	Ø62	111	60	25	25	14	14	M6	36	SS	304



MANUAL OVERRIDE OPTIONALLY PROVIDED

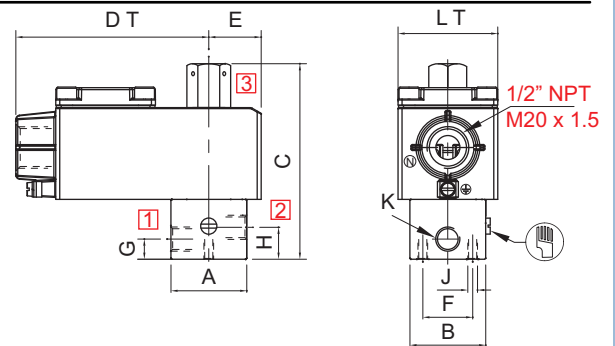
#### TERMINAL BOX/ Ex d ENCLOSURE, TYPE 16, 19, 37, 39, 58, 58LT

K (PORT SIZE)	A	B	C	D	E	F	G	H	J	L	BODY MATL.	CONST. REF.
VALVE TYPE : 30125												
1/8", 1/4"	38	38	98	85	25	25	10	16	M6	41	AL, BR	301
3/8", 1/2"	60	38	106	85	25	25	20.5	20.5	M6	41	AL, BR	302
1/8", 1/4"	44	Ø48	102	85	25	25	17	10.5	M6	41	SS	303
3/8", 1/2"	58	Ø62	111	85	25	25	14	14	M6	41	SS	304



MANUAL OVERRIDE OPTIONALLY PROVIDED

#### SQUARE PLUG IN SOLENOID TYPE 25



MANUAL OVERRIDE OPTIONALLY PROVIDED

#### TERMINAL BOX/ Ex d LARGE ENCLOSURE, TYPE 16, 19, 37, 39, 58, 58LT, LC

K (PORT SIZE)	A	B	C	DP	DT	E	F	G	H	J	LP	LT	BODY MATL.	CONST. REF.
VALVE TYPE : 30125														
1/8", 1/4"	38	38	98	66	97	25	25	10	16	M6	Ø50	50	AL, BR	301
3/8", 1/2"	60	38	106	66	97	25	25	20.5	20.5	M6	Ø50	50	AL, BR	302
1/8", 1/4"	44	Ø48	102	66	97	25	25	17	10.5	M6	Ø50	50	SS	303
3/8", 1/2"	58	Ø62	111	66	97	25	25	14	14	M6	Ø50	50	SS	304
VALVE TYPE : 30126														
1/8", 1/4"	50	50	110	68	103	25	25	10.5	17	M6	Ø50	50	AL, BR	305
3/8", 1/2"	65	50	110	68	103	32	25	14	14	M6	Ø50	50	AL, BR	306
1/8", 1/4"	44	Ø48	102	68	103	25	25	10.5	17	M6	Ø50	50	SS	307
3/8", 1/2"	58	Ø62	102	68	103	32	25	14	14	M6	Ø50	50	SS	308

