

3/2 DIRECT ACTING SOLENOID VALVE

TYPE	PRESSURE	UNI	TYPE	PRESSURE	NO	TYPE	PRESSURE	NC
30301	0 - 14 bar		30201	0 - 20 bar		30125	0 - 20 bar	
30310	0 - 32 bar		30206	0 - 63 bar		30126	0 - 63 bar	

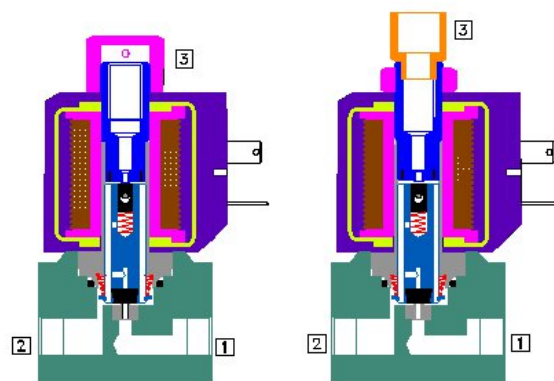
FEATURES

- Bubble tight shut off
- Mounts in any position
- Suitable for vacuum up to 10⁻⁶ torr
- Vibration resistance up to 9g
- Suitable for high speed cycling
- Speed up to 1000 cycles/ min
- Life >10 million cycles
- Manual override optionally provided



WETTED PARTS

Code	✕	B2	B5
Body	Anodized Aluminium	Brass	SS 316
Internals	Aluminium	Brass	SS 316
Guide Assembly	SS 304		
Shadow-Ring	Copper/ Silver/ None		
Plunger, Insert	SS 430		
Spring	SS 302		
Seat, Seals	NBR, Viton, EPDM		



AMBIENT AND FLUID TEMPERATURE

-30 °C to 75 °C

SPECIAL VERSION AND SUFFIX

Suffix : (Valve) OX, AM
Special version : (Coil) CO, FR, SS, LC, III, TM

MEDIA

Air, Inert Gases, Water

APPLICATION

Single acting actuator/ Cylinder/ control valve actuation
Diverting/ mixing of fluid

PORT CONNECTION

FUNCTION	INLET	OUTLET	EXHAUST
NC	1	2	3
NO	3	2	1
Mixing	1 and 3	2	
Diverting	2	1 and 3	

Contact Rotex for

- Any other ambient, fluid temperature, media and application
- UL listed, Listed general purpose Valve
- Media like Water, Light Oil etc.

SPARES

(Refer page 25 for ordering code)

SPARE KIT	CODE
Seal Kit : Oring Set and Plunger Assembly	98
Repair Kit : Oring Set, Plunger Assembly, Springs, Manual Override, Guide Assembly	99
Solenoid Kit : Solenoid, Gasket and Nut	34

APPROVAL

(✕ applied for)

Approval	TYPE 4X, 6P	IP67	Ex d IIC T4 or T5 or T6 IP66	Ex ia IIC T6 IP67	DGMS	CCOE
		✓	✓	✓	✓	✓
		✓	✓	✓		
	✓		*			
			✓	✓		
			✓	✓		
			✓	✓		



3/2 DIRECT ACTING SOLENOID VALVE

SPECIFICATION

PORT CONNECTION			PRE-SSURE bar		ORIFICE (mm)	FLOW FACTOR kv (LPM OF WATER @ 1 bar ΔP)	VALVE TYPE	PILOT PRESSURE	BODY MATERIAL AND INTERNALS							SEALS					MANUAL OVERRIDE			SOLENOID ENCLOSURE				SUFFIX		POWER VA		CONSTRUCTION REFERENCE NUMBER
SIZE	BSP(F)	NPT(F)	MINIMUM	MAXIMUM					ALUMINIUM	ALUMINIUM + SS	BRASS (STD. PORT NPT)	SS-316 (STD. PORT NPT)	NBR	Viton	EPDM	HYTREL	PTFE+Viton	NIL	STAYPUT CUM MOMENTARY	MOMENTARY	FLYING LEAD	PLUG IN, IP67	SQ. PLUG IN, IP67	TERMINAL BOX IP67	EXPLOSION PROOF IIC, IP67	LARGE ENCLOSURE	SOLENOID SIZE	OXYGEN	AMONIA	AC INRUSH	AC HOLDING	

3/2 NORMALLY CLOSED

1/8", 1/4", 3/8", 1/2"	1G, 2G, 3G, 4G	1R, 2R, 3R, 4R	PRE-SSURE (bar)		ORIFICE (mm)	FLOW FACTOR kv	VALVE TYPE	PILOT PRESSURE	BODY MATERIAL AND INTERNALS							SEALS					MANUAL OVERRIDE			SOLENOID ENCLOSURE				SUFFIX		POWER VA		CONSTRUCTION REFERENCE NUMBER
			MIN	MAX					ALUMINIUM	ALUMINIUM + SS	BRASS (STD. PORT NPT)	SS-316 (STD. PORT NPT)	NBR	Viton	EPDM	HYTREL	PTFE+Viton	NIL	STAYPUT CUM MOMENTARY	MOMENTARY	FLYING LEAD	PLUG IN, IP67	SQ. PLUG IN, IP67	TERMINAL BOX IP67	EXPLOSION PROOF IIC, IP67	LARGE ENCLOSURE	SOLENOID SIZE	OXYGEN	AMONIA	AC INRUSH	AC HOLDING	
0	4	3	4	30125	*	B2 B5	*	S2 S1	S8	*	M6 M8	F	22	25	T	E	III	14	✓	✓	18	12	8	A								
0	6	2.5	3.5	30125	*	B2 B5	*	S2 S1	S8	*	M6 M8	F	22	25	T	E	III	14	✓	✓	18	12	8	A								
0	6	4	7	30126	*	B2 B5	*	S2 S1	S8	*	M6 M8	F		25	T	E		18	✓	✓	13	13	13	C								
0	8	2.2	2.5	30125	*	B2 B5	*	S2 S1	S8	*	M6 M8	F	22	25	T	E	III	14	✓	✓	18	12	8	A								
0	8	3.5	5	30126	*	B2 B5	*	S2 S1	S8	*	M6 M8	F		25	T	E		18	✓	✓	13	13	13	C								
0	12	3	4	30126	*	B2 B5	*	S2 S1	S8	*	M6 M8	F		25	T	E		18	✓	✓	13	13	13	C								
0	15	1.6	1.4	30125	*	B2 B5	*	S2 S1	S8	*	M6 M8	F	22	25	T	E	III	14	✓	✓	18	12	8	A								
0	16	2.5	3.5	30126	*	B2 B5	*	S2 S1	S8	*	M6 M8	F		25	T	E		18	✓	✓	13	13	13	C								
0	20	1.2	0.7	30125	*	B2 B5	*	S2 S1	S8	*	M6 M8	F	22	25	T	E	III	14	✓	✓	18	12	8	A								
0	25	2.2	2.5	30126	*	B2 B5	*	S2 S1	S8	*	M6 M8	F		25	T	E		18	✓	✓	13	13	13	C								
0	32	1.8	1.8	30126	*	B2 B5	*	S2 S1	S8	*	M12 M5	F		25	T	E		18	✓	✓	13	13	13	C								
0	63	1.2	0.7	30126	*	B2 B5	*	S2 S1	S8	*	M11 M4	F		25	T	E		18	✓	✓	13	13	13	C								
0	10	1.8	1.8	30125	*	B2 B5	*	S2 S1	S8	*	M6 M8	F	22	25	T	E	III	14	✓	✓	18	12	8	B								

7

Cable Entry	T	E		
		0c/A	0c/Ae	0c/A{ a
M20 x 1.5	FJ	HU	IIITU	IIITU IIITU IIISV
M25 x 1.5			II II II II	IIISV
1/2" NPT	F	H	IIIPU	IIIPU IIISV

* = Do not specify when opted for. Refer Page # 22 for Value of *
 ✓ = Options available

Code	Construction Reference
A	301, 303
B	302, 304
C	305, 307
D	306, 308

	F
Flying lead IP54	*
Flying lead IP67	01

ORDERING CODE AND EXAMPLE VALVE + SOLENOID

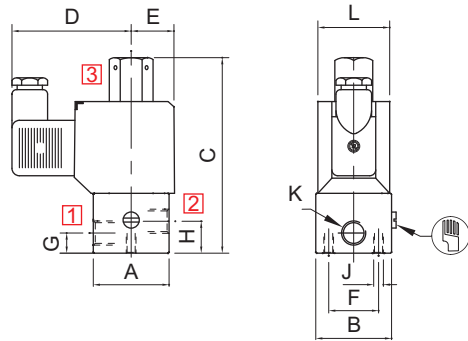
VALVE TYPE – SIL – SUFFIX – ORIFICE – PORT CONNECTION – BODY AND INTERNALS – MANUAL OVERRIDE – SEAL – MEDIA + SIZE – VOLTAGE – CURRENT – SOLENOID ENCLOSURE – SPECIAL VERSION – POWER – INSULATION – APPROVAL – SIL – ACCESSORIES SOLENOID
 e.g. 30125-1.8-2G+I-24V-DC-22, 30126-2.2-2G+II-24V-DC-37-H



3/2 DIRECT ACTING SOLENOID VALVE

DIMENSIONS

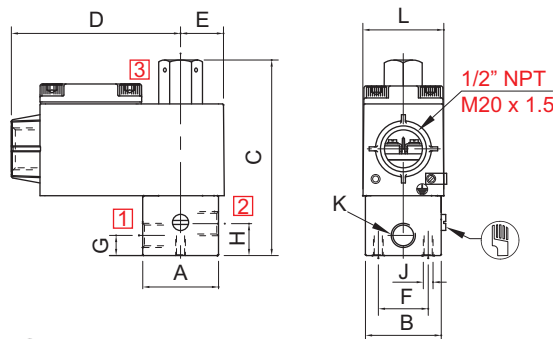
All Dimensions are in mm



MANUAL OVERRIDE OPTIONALLY PROVIDED

PLUG IN SOLENOID TYPE 22

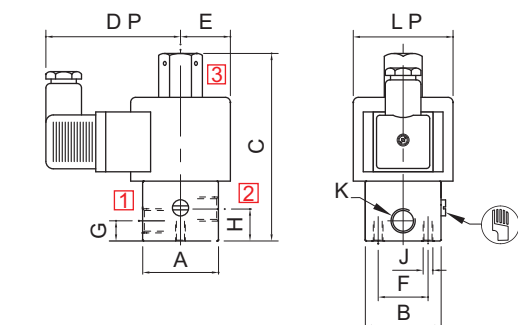
K (PORT SIZE)	A	B	C	D	E	F	G	H	J	L	BODY MATL.	CONST. REF.
VALVE TYPE : 30125												
1/8", 1/4"	38	38	98	60	25	25	10	16	M6	36	AL, BR	301
3/8", 1/2"	60	38	106	60	25	25	20.5	20.5	M6	36	AL, BR	302
1/8", 1/4"	44	Ø48	102	60	25	25	17	10.5	M6	36	SS	303
3/8", 1/2"	58	Ø62	111	60	25	25	14	14	M6	36	SS	304



MANUAL OVERRIDE OPTIONALLY PROVIDED

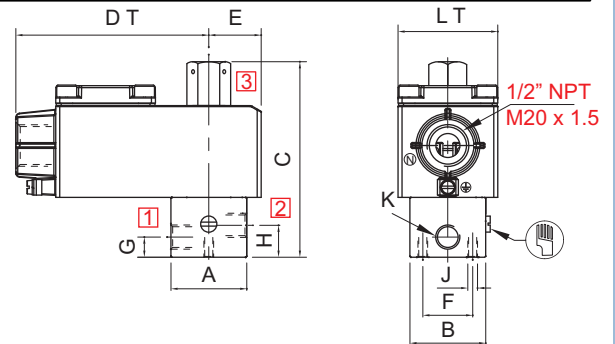
TERMINAL BOX/ Ex d ENCLOSURE, TYPE 16, 19, 37, 39, 58, 58LT

K (PORT SIZE)	A	B	C	D	E	F	G	H	J	L	BODY MATL.	CONST. REF.
VALVE TYPE : 30125												
1/8", 1/4"	38	38	98	85	25	25	10	16	M6	41	AL, BR	301
3/8", 1/2"	60	38	106	85	25	25	20.5	20.5	M6	41	AL, BR	302
1/8", 1/4"	44	Ø48	102	85	25	25	17	10.5	M6	41	SS	303
3/8", 1/2"	58	Ø62	111	85	25	25	14	14	M6	41	SS	304



MANUAL OVERRIDE OPTIONALLY PROVIDED

SQUARE PLUG IN SOLENOID TYPE 25



MANUAL OVERRIDE OPTIONALLY PROVIDED

TERMINAL BOX/ Ex d LARGE ENCLOSURE, TYPE 16, 19, 37, 39, 58, 58LT, LC

K (PORT SIZE)	A	B	C	DP	DT	E	F	G	H	J	LP	LT	BODY MATL.	CONST. REF.
VALVE TYPE : 30125														
1/8", 1/4"	38	38	98	66	97	25	25	10	16	M6	Ø50	50	AL, BR	301
3/8", 1/2"	60	38	106	66	97	25	25	20.5	20.5	M6	Ø50	50	AL, BR	302
1/8", 1/4"	44	Ø48	102	66	97	25	25	17	10.5	M6	Ø50	50	SS	303
3/8", 1/2"	58	Ø62	111	66	97	25	25	14	14	M6	Ø50	50	SS	304
VALVE TYPE : 30126														
1/8", 1/4"	50	50	110	68	103	25	25	10.5	17	M6	Ø50	50	AL, BR	305
3/8", 1/2"	65	50	110	68	103	32	25	14	14	M6	Ø50	50	AL, BR	306
1/8", 1/4"	44	Ø48	102	68	103	25	25	10.5	17	M6	Ø50	50	SS	307
3/8", 1/2"	58	Ø62	102	68	103	32	25	14	14	M6	Ø50	50	SS	308

