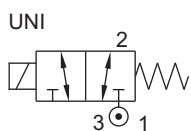
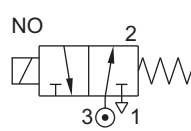


3/2 DIRECT ACTING, ALL PORTS IN BODY SOLENOID VALVE

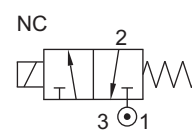
TYPE	PRESSURE
30370	0 - 12 bar



TYPE	PRESSURE
30270	0 - 20 bar



TYPE	PRESSURE
30170	0 - 20 bar



FEATURES

- Bubble tight shut off
- Mounts in any position
- Vibration resistance up to 6g
- Suitable for high speed cycling
- Speed up to 600 cycles/ min
- Life >10 million cycles
- Manual override optionally provided



WETTED PARTS

Code		B2	B5
Body		Brass	SS 316
Internals		Brass	SS 316
Guide Assembly	SS 304		
Shadow-Ring	Copper/ Silver/ None		
Plunger, Insert	SS 430		
Spring	SS 302		
Seat, Seals	NBR, Viton, EPDM		

AMBIENT AND FLUID TEMPERATURE

-30 °C to 75 °C

SPECIAL VERSION AND SUFFIX

Suffix : (Valve) OX, AM

Special version : (Solenoid) CO, FR, SS, LC, III

MEDIA

Air, Inert Gases, Water, Free Flowing Liquid,
Oil, Diesel, Kerosene, LPG

APPLICATION

Single acting actuator/ Cylinder, control valve actuation
Diverting/ mixing of fluid

PORT CONNECTION

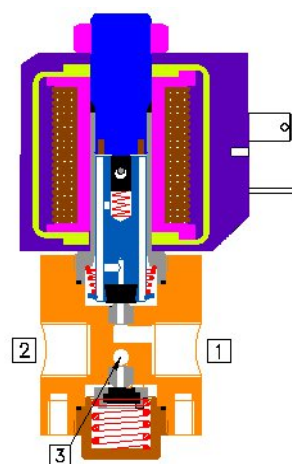
FUNCTION	INLET	OUTLET	EXHAUST
NC	1	2	3
NO	3	2	1
Mixing	1 and 3	2	
Diverting	2	1 and 3	

Contact Rotex for

- Any other ambient, fluid temperature, media and application
- UL listed, Listed general purpose Valve



2/2 NC Type 30170TC, 30370TC OR 2/2 NO Type 30270TO, 30370TO
OIL Media Temperature Restricted from 0 °C to 100 °C



SPARES (Refer page 25 for ordering code)

SPARE KIT	CODE
Seal Kit : Oring Set and Plunger Assembly	98
Repair Kit : Oring Set, Plunger Assembly, Springs, Manual Override, Guide Assembly	99
Solenoid Kit : Solenoid, Gasket and Nut	34

APPROVAL (* applied for)

Approval	TYPE 4X, 6P	IP67	Ex d IIC T4 or T5 or T6 IP66	Ex ia IIC T6 IP67	DGMS	CCOE
		✓	✓	✓	✓	✓
CE		✓	✓	✓		
UL	✓		*			
			✓	✓		
EAC			✓	✓		
			✓	✓		



3/2 DIRECT ACTING, ALL PORTS IN BODY SOLENOID VALVE

SPECIFICATION

PORT CONNECTION		PRE-SSURE bar		ORIFICE (mm)	FLOW FACTOR KV (LPM OF WATER @ 1 bar ΔP)	VALVE TYPE	PILOT PRESSURE	BODY MATERIAL AND INTERNALS						SEALS					MANUAL OVERRIDE		SOLENOID ENCLOSURE		SUFFIX		POWER VA		CONSTRUCTION REFERENCE NUMBER	
SIZE	BSP(F)	NPT(F)	MINIMUM					MAXIMUM	ALUMINIUM	ALUMINIUM + SS	BRASS (STD. PORT NPT)	SS.316 (STD. PORT NPT)	NBR	Viton	EPDM	HYTREL	PTFE	NIL	STAYPUT CUM MOMENTARY	MOMENTARY	FLYING LEAD	PLUG IN, IP67	SQ. PLUG IN, IP67	TERMINAL BOX IP67	EXPLOSION PROOF IIC, IP67	LARGE ENCLOSURE		SOLENOID SIZE

3/2 NORMALLY CLOSED

SIZE	BSP(F)	NPT(F)	MINIMUM	MAXIMUM	ORIFICE (mm)	FLOW FACTOR KV	VALVE TYPE	PILOT PRESSURE	ALUMINIUM	ALUMINIUM + SS	BRASS (STD. PORT NPT)	SS.316 (STD. PORT NPT)	NBR	Viton	EPDM	HYTREL	PTFE	NIL	STAYPUT CUM MOMENTARY	MOMENTARY	FLYING LEAD	PLUG IN, IP67	SQ. PLUG IN, IP67	TERMINAL BOX IP67	EXPLOSION PROOF IIC, IP67	LARGE ENCLOSURE	SOLENOID SIZE	OXYGEN	AMONIA	AC INRUSH	AC HOLDING	DC	CONSTRUCTION REFERENCE NUMBER	
1/4"	2G	2R	0	3	3.5	5	30170			B2	B5	*	S2	S1				*				22	25	T	E	14	✓	✓	18	12	8	322		
			0	4	3	4	30170			B2	B5	*	S2	S1					*				22	25	T	E	14	✓	✓	18	12	8	322	
			0	6	2.5	3.5	30170			B2	B5	*	S2	S1					*				22	25	T	E	14	✓	✓	18	12	8	322	
			0	10	1.8	1.8	30170			B2	B5	*	S2	S1					*					22	25	T	E	14	✓	✓	18	12	8	322
			0	20	1.2	0.7	30170			B2	B5	*	S2	S1					*						22	25	T	E	14	✓	✓	18	12	8

3/2 NORMALLY OPEN

SIZE	BSP(F)	NPT(F)	MINIMUM	MAXIMUM	ORIFICE (mm)	FLOW FACTOR KV	VALVE TYPE	PILOT PRESSURE	ALUMINIUM	ALUMINIUM + SS	BRASS (STD. PORT NPT)	SS.316 (STD. PORT NPT)	NBR	Viton	EPDM	HYTREL	PTFE	NIL	STAYPUT CUM MOMENTARY	MOMENTARY	FLYING LEAD	PLUG IN, IP67	SQ. PLUG IN, IP67	TERMINAL BOX IP67	EXPLOSION PROOF IIC, IP67	LARGE ENCLOSURE	SOLENOID SIZE	OXYGEN	AMONIA	AC INRUSH	AC HOLDING	DC	CONSTRUCTION REFERENCE NUMBER		
1/4"	2G	2R	0	3	3.5	5	30270			B2	B5	*	S2	S1				*					22	25	T	E	14	✓	✓	18	12	8	322		
			0	4	3	4	30270			B2	B5	*	S2	S1					*					22	25	T	E	14	✓	✓	18	12	8	322	
			0	6	2.5	3.5	30270			B2	B5	*	S2	S1					*					22	25	T	E	14	✓	✓	18	12	8	322	
			0	10	1.8	1.8	30270			B2	B5	*	S2	S1					*						22	25	T	E	14	✓	✓	18	12	8	322
			0	20	1.2	0.7	30270			B2	B5	*	S2	S1					*						22	25	T	E	14	✓	✓	18	12	8	322

3/2 UNIVERSAL

SIZE	BSP(F)	NPT(F)	MINIMUM	MAXIMUM	ORIFICE (mm)	FLOW FACTOR KV	VALVE TYPE	PILOT PRESSURE	ALUMINIUM	ALUMINIUM + SS	BRASS (STD. PORT NPT)	SS.316 (STD. PORT NPT)	NBR	Viton	EPDM	HYTREL	PTFE	NIL	STAYPUT CUM MOMENTARY	MOMENTARY	FLYING LEAD	PLUG IN, IP67	SQ. PLUG IN, IP67	TERMINAL BOX IP67	EXPLOSION PROOF IIC, IP67	LARGE ENCLOSURE	SOLENOID SIZE	OXYGEN	AMONIA	AC INRUSH	AC HOLDING	DC	CONSTRUCTION REFERENCE NUMBER		
1/4"	2G	2R	0	1	3.5	5	30370			B2	B5	*	S2	S1				*					22	25	T	E	14	✓	✓	18	12	8	322		
			0	2	3	4	30370			B2	B5	*	S2	S1					*					22	25	T	E	14	✓	✓	18	12	8	322	
			0	3	2.5	3.5	30370			B2	B5	*	S2	S1					*					22	25	T	E	14	✓	✓	18	12	8	322	
			0	7	1.8	1.8	30370			B2	B5	*	S2	S1					*						22	25	T	E	14	✓	✓	18	12	8	322
			0	12	1.2	0.7	30370			B2	B5	*	S2	S1					*						22	25	T	E	14	✓	✓	18	12	8	322

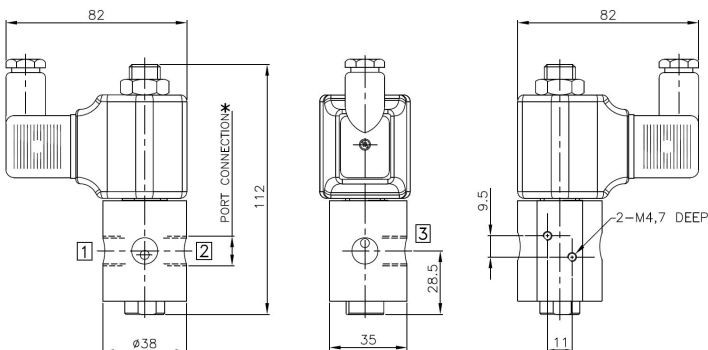
SOLENOID 14

Cable Entry	T	Öc/A	Öc/A ₂	Öc/A ₃	Öc/A ₄
M20 x 1.5	FJ	FİTÜ	HJ	İİTÜ	İİTÜ
M25 x 1.5	Fİ		İİ	İİ	İİ
1/2" NPT	Fİ	FİPÜ	H	İİPÜ	İİPÜ

* = Do not specify when opted for. Refer Page # 22 for Value of *
 ✓ = Options available

DIMENSIONS

All Dimensions are in mm



ORDERING CODE AND EXAMPLE

VALVE + SOLENOID

TYPE - SUFFIX - ORIFICE - PORT CONNECTION
 BODY AND INTERNALS - - SEAL - MEDIA +
 SIZE - VOLTAGE - CURRENT - SOLENOID ENCLOSURE
 - SPECIAL VERSION - POWER - INSULATION - APPROVAL

e.g. 30170-1.8-2R-B5+I-24V-DC-22-H