

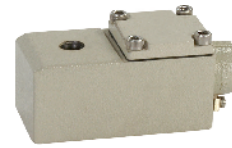
# 3/2 DIRECT ACTING NAMUR SOLENOID VALVE



HORIZONTAL CABLE ENTRY  
ALUMINIUM CAST ENCLOSURE  
WEATHER PROOF Type 16, 19  
EXPLOSION PROOF Type 58, 58LT



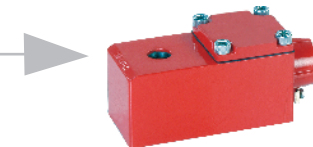
MULTI PIN CONNECTOR  
STEEL ENCLOSURE  
WEATHER PROOF Type 70



HORIZONTAL CABLE ENTRY  
STAINLESS STEEL CAST ENCLOSURE  
WEATHER PROOF Type 16-CO, 19-CO,  
EXPLOSION PROOF Type 58-CO, 58LT-CO,  
37-CO, 39-CO



DIN PLUG CONNECTOR  
MOULDED ENCLOSURE  
WEATHER PROOF Type 22



HORIZONTAL CABLE ENTRY  
ALUMINIUM CAST ENCLOSURE  
EXPLOSION PROOF Type 37, 39



DIN PLUG CONNECTOR  
STEEL ENCLOSURE  
WEATHER PROOF Type 25



BOTTOM CABLE ENTRY  
ALUMINIUM CAST ENCLOSURE  
WEATHER PROOF Type 17  
EXPLOSION PROOF Type 87, 62



BOTTOM CABLE ENTRY  
STAINLESS STEEL CAST ENCLOSURE  
WEATHER PROOF Type 17-CO  
EXPLOSION PROOF Type 87-CO  
62-CO

**Interchangeable across  
Voltage/ Current range without  
affecting performance of the Valve**

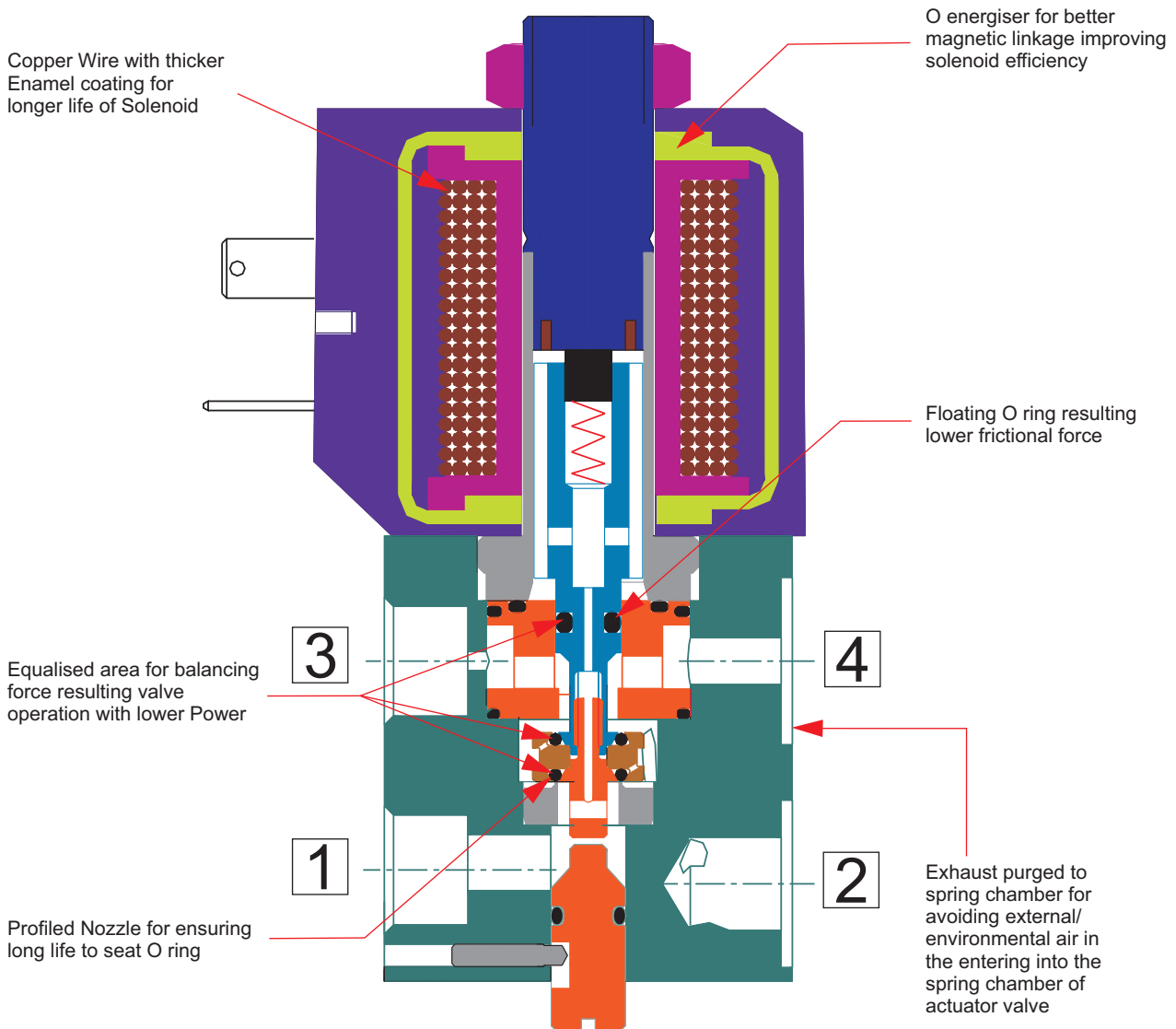


*Engineering For The Future*

## 3/2 DIRECT ACTING NAMUR SOLENOID VALVE

### FEATURES

- Bubble tight shut OFF
- Mounts in any position
- Vibration resistance up to 9g
- Ideally Suitable for dusty environment
- Suitable for high speed cycling, speed upto 900 cycles/ min
- Life >20 million cycles



### WEIGHT IN kg. (Appx.)

#### Valve

Vale Type - Orifice	Al	SS
30318-5	0.50	0.80

#### Solenoid

Type	Size		Type	Size	Enclosure	
					Al	SS
22	I	0.25	16, 19,	I	0.55	1.20
	II, IV	0.45	37, 39,	II, IV	0.85	1.70
25	III	0.40	58, 58LT	III	0.60	1.50
	IV	0.50	17, 62,	II, IV	1.00	1.65
			87	III	0.90	1.50

### VOLTAGE VARIATION

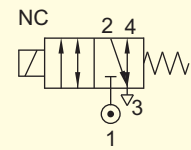
(For Continuous Duty)

Rated Voltage	Operating Voltage
6	4.8V to 7.2V
12	9.6V to 14.4V
24	19.2V to 28.8V
48	38.4V to 57.6V
110 to 120	88V to 132V
220/ 230/ 240	176V to 264V
256	205V to 280V

**SERIES : 32D**

**3/2 DIRECT ACTING NAMUR SOLENOID VALVE**

TYPE	PRESSURE
30318	0 - 10 bar
30318LW	0 - 10 bar
30318LA	0 - 10 bar



**WETTED PARTS**

Code	⊗	B5
<b>Body</b>	Anodized Aluminium	SS 316
<b>Internals</b>	Aluminium, Brass and SS 316	SS 316
<b>Guide</b>	SS 304	
<b>Shadow-Ring</b>	None	
<b>Plunger, Insert</b>	SS 430	
<b>Spring</b>	SS 302	
<b>Fasteners</b>	SS 304	
<b>Seat, Seals</b>	NBR, Viton, F. Silicon	



**PESO**



**CE**

**UL**



**EAC**



**KOSHA**



**NACE**  
MR 0175-1

**APPLICATION**

Operation of single acting Actuator, Control Valve having NAMUR pad

**SPARES**

SPARE KIT	CODE
<b>Seal Kit</b> : Oring Set & Plunger assembly	98
<b>Repair Kit</b> : All Components except Body and Solenoid	99
<b>Solenoid Kit</b> : Solenoid, Gasket and Nut	34

**POWER**

Power	Normal	Low		Ex ia	
	8W	3.5 W	1.8W		1W
Type	30318	30318LA	30318LW	30318LW	Type 62
Size	I/ III	III	IV	IV	IV

**PORT CONNECTION**

VALVE TYPE	MODE	INLET	OUTLET	OUTLET	EXHAUST
30318, 30318LA	NC	1	2	4 (Inactive)	3
30318LW					

Contact Rotex for  
• Any other Temperature Range, Media and Application

## 3/2 DIRECT ACTING NAMUR SOLENOID VALVE

### SPECIFICATION

VALVE		SOLENOID	
<b>Valve Type</b>	3/2 Direct Acting, NAMUR solenoid valve	<b>Voltage-Current</b>	DC 12V, 24V, 48V, 110V, 220V, 256V AC/ DC (50Hz/ 60Hz/ DC) 24V, 110V, 120V, 230V, 240V
<b>Body Material</b>	Aluminium/ Stainless Steel 316	<b>Power</b>	8W/ 3.5W/ 1.8W/ 1W
<b>Port Connection</b>	NAMUR	<b>Protection</b>	Weather Proof IP 67/ IP 68 Explosion Proof Ex d, Ex ia, Ex e mb IIC T6/ T5/ T4 IP67
<b>Orifice</b>	5mm	<b>Cable Entry</b>	Pg 9/ M20X1.5/ 1/2" NPT/ M25X1.5
<b>Seals</b>	NBR/ Viton GLT/ F.Silicon		
<b>Manual Override</b>	Stayput/ Momentary/ Without Manual Override		
<b>Flow factor Orifice - kv/ Kv/ Cv</b>	8/ 0.48/ 0.56		
<b>Media</b>	Air, Inert Gas		
<b>⑬ Ambient, Fluid Temperature</b>	-25 °C to 75 °C, Optionally -60 °C to 170 °C		
<b>Response ON/ OFF</b>	≤12ms/ ≤12ms		
<b>Pressure</b>	0-10 bar		
<b>Accessories</b>	O-ring & fasteners for mounting Solenoid Valve supplied loose & NRV dust plug provided on Exhaust port		

### ORDERING CODE Solenoid Valve (Valve Code + Solenoid Code)

VALVE TYPE	SIL	SUFFIX	ORIFICE	PORT CONNECTION	BODY INTERNAL	MANUAL OVERRIDE	SEAL	⑭ MEDIA	
30318	※	※	5	2R	B5	M8	S2G	※	
ACCESSORIES VALVE, PORT	+	SIZE	VOLTAGE, CURRENT	ENCLOSURE	⑦ MTL	SPECIAL	POWER	INSULATION	APPROVAL
A1 - D1		III	24V DC	87NS	※	SS	※	H	01
SIL	-	ACCESSORIES SOLENOID							
※		B4							

### ORDERING CODE Valve Spare Kit

SPARE KIT	VALVE TYPE	SIL	SUFFIX	ORIFICE	PORT CONNECTION	BODY INTERNAL	MANUAL OVERRIDE
99	30318	※	※	5	2R	B5	M8
SEAL	ACCESSORIES VALVE, PORT						
S2G	A1 - D1						

### ORDERING CODE Spare Solenoid

SOLENOID KIT	SIZE	VOLTAGE, CURRENT	ENCLOSURE	⑦ MTL	SPECIAL	POWER	INSULATION	APPROVAL
34	III	24V DC	87NS	※	SS	※	H	01
SIL	ACCESSORIES SOLENOID							
※	B4							

VALVE TYPE-ORIFICE	
CODE	DESCRIPTION
<b>NORMAL POWER</b>	
30318-5	0 - 10 bar, 8 Watt
<b>LOW POWER</b>	
30318LA-5	0 - 10 bar, 3.5 Watt, Size III
30318LW-5	0 - 10 bar, 1.8 Watt, Size IV
30318LW-5	0 - 10 bar, 1 Watt, Enclosure Type 17, 87, LW1, Size IV
<b>INTRINSICALLY SAFE Ex ia 24V DC</b>	
30318LW-5	0 - 10 bar, Ex ia, Enclosure Type 62, Size IV

SIL CERTIFIED	
CODE	DESCRIPTION
① ※	NO
SL	YES

SUFFIX	
CODE	DESCRIPTION
① ※	NIL
⑧ AM	Ammonia

PORT CONNECTION	
CODE	DESCRIPTION
2R	1/4" NPT
2G	1/4" BSP

BODY MATERIAL	
CODE	DESCRIPTION
① ※	Aluminium
B5	SS 316
B5N	SS316 NACE Compliance

**SERIES : 32D**

**3/2 DIRECT ACTING NAMUR SOLENOID VALVE**

MANUAL OVERRIDE	
CODE	DESCRIPTION
M0	NIL
① ✖	Stayput
M8	Momentary

SEAL		
CODE	GRADE, AMBIENT/ FLUID TEMPERATURE	MEDIA
① ✖	NBR, -25 °C to 75 °C	① ✖ ✓
S2G	VITON, -40 °C to 160 °C	✓
S19	F. Silicon, -60 °C to 190 °C	✓

②⑦ MEDIA	
CODE	DESCRIPTION
① ✖	Air, Inert Gas

SIZE-VOLTAGE CURRENT		
CODE	SIZE	COIL VOLTAGE
I-12V DC	I	12V DC
I-24V DC	I	24V DC
III-12V DC	III	12V DC
III-24V DC	III	24V DC
III-24V AC/ DC	III	④ ③① 24V 50Hz/ 60Hz/ DC
III-48V DC	III	48V DC
III-110V DC	III	110V DC
III-110V AC/ DC	III	④ ③① 110V 50Hz/ 60Hz/ DC 120V 50Hz/ 60Hz/ DC
III-220V DC	III	220V DC
III-230V AC/ DC	III	④ ③① 220V 50Hz/ 60Hz/ DC 240V 50Hz/ 60Hz/ DC
III-256V DC	III	256V DC
IV-24V DC	IV	24V DC
IV-110V DC	IV	110V DC

ENCLOSURE TYPE	
CODE	DESCRIPTION
<b>WEATHER PROOF TERMINAL BOX</b>	
⑫ 22	DIN Plug Solenoid, IP 67, Cable Entry Pg9, as per DIN43650B, Size I
③① 25	DIN Plug Solenoid, IP 67, Cable Entry Pg9, as per DIN43650A, Size II, III, IV
16	Integrated Terminal box, IP 67, 1/2" NPT, -40 °C to 100 °C
19	Integrated Terminal box, IP 67, M20X1.5, -40 °C to 100 °C
17	Integrated Terminal Box, IP67, Bottom Cable Entry, M25X1.5, Size II, III, IV
17-MS	Integrated Terminal Box, IP67, Bottom Cable Entry, M20X1.5, Size II, III, IV
17-NS	Integrated Terminal Box, IP67, Bottom Cable Entry, 1/2" NPT, Size II, III, IV
17-A	Integrated Terminal Box, IP68, Bottom Cable Entry, M25X1.5, Size II, III, IV
17-MS-A	Integrated Terminal Box, IP68, Bottom Cable Entry, M20X1.5, Size II, III, IV
17-NS-A	Integrated Terminal Box, IP68, Bottom Cable Entry, 1/2" NPT, Size II, III, IV
<b>EXPLOSION PROOF Ex d (For Gas &amp; Dust)</b>	
⑮ 37	Ex d IIC IP66, -40 °C TO 60 °C, 1/2" NPT
⑮ 39	Ex d IIC IP66, -40 °C TO 60 °C, M20 X 1.5
87	Ex d IIC IP67, -60 °C TO 100 °C, M25 X 1.5, Size II, III, IV
87-MS	Ex d IIC IP67, -60 °C TO 100 °C, M20 X 1.5, Size II, III, IV
87-NS	Ex d IIC IP67, -60 °C TO 100 °C, 1/2" NPT, Size II, III, IV
87 -A	Ex d IIC IP68, -60 °C TO 100 °C, M25 X 1.5, Size II, III, IV
87-MS-A	Ex d IIC IP68, -60 °C TO 100 °C, M20 X 1.5, Size II, III, IV
87-NS-A	Ex d IIC IP68, -60 °C TO 100 °C, 1/2" NPT, Size II, III, IV
<b>FLAMEPROOF Ex e mb (For Gas &amp; Dust)</b>	
58	Ex e mb IIC, IP67, -40 °C TO 70 °C, M25 X 1.5
58-MS	Ex e mb IIC, IP67, -40 °C TO 70 °C, M20 X 1.5
58-NS	Ex e mb IIC, IP67, -40 °C TO 70 °C, 1/2" NPT
58LT	Ex e mb IIC, IP67, -60 °C TO 70 °C, M25 X 1.5
58LT-MS	Ex e mb IIC, IP67, -60 °C TO 70 °C, M20 X 1.5
58LT-NS	Ex e mb IIC, IP67, -60 °C TO 70 °C, 1/2" NPT
<b>INTRINSICALLY SAFE Ex ia (For Gas &amp; Dust)</b>	
62	Ex ia IIC, IP67, -60 °C TO 70 °C, M25 X 1.5, Size IV, Booster Circuit
62-MS	Ex ia IIC, IP67, -60 °C TO 70 °C, M20 X 1.5, Size IV, Booster Circuit
62-NS	Ex ia IIC, IP67, -60 °C TO 70 °C, 1/2" NPT, Size IV, Booster Circuit

⑦ ENCLOSURE MATERIAL	
CODE	DESCRIPTION
① ✖	Aluminium Cast Epoxy Powder Coated
CO	CF8M (Stainless Steel 316 Cast)
CO-3M	CF3M (Stainless Steel 316L Cast)

SPECIAL	
CODE	DESCRIPTION
① ✖	NIL
⑦ FR	Full Rectifier with Surge Suppressor Size II, III, IV
⑲ ③① LD	LED, Size II, III, IV
⑫ SS ②⑥	Surge Suppressor Size II, III, IV
③① RC	Half Rectifier with Surge Suppressor Size II, III

POWER													
CODE	SIZE	POWER WATT	12V DC	24V DC	24V AC/ DC	48V DC	110V DC	110V AC/ DC		220V DC	230V AC/ DC		256V DC
			12V DC	24V DC	④ 24V 50Hz/ 60Hz/ DC	48V DC	110V DC	④ 110V 50Hz/ 60Hz/ DC	④ 120V 50Hz/ 60Hz/ DC	220V DC	④ 220V 50Hz/ 60Hz/ DC	④ 240V 50Hz/ 60Hz/ DC	256V DC
① ✖	I	8.0	✓	✓									
	III	3.5	✓	✓		✓	✓	✓					
		4.0								✓			
① ✖	III	8.0	✓	✓	✓	✓	✓	✓	✓	✓	✓		
		9.0										✓	✓
	LW1.8	IV	1.8	✓			✓	✓	✓				
⑪	LW1	IV	1.0	✓									

## 3/2 DIRECT ACTING NAMUR SOLENOID VALVE

INSULATION	
CODE	DESCRIPTION
① ✖	CLASS F
H	CLASS H

SIL	
CODE	DESCRIPTION
① ✖	NO
SL	YES

APPROVAL		⑨ ENCLOSURE TYPE									
CODE	DESCRIPTION	17	37	39	58	58LT	62	87	17A	87A	
① ⑮ ✖	CCOE/ PESO + BIS, Insulation Class H		✓	✓			✓	✓		✓	
01	CE - ATEX, Insulation Class H		✓	✓	✓	✓					
01	IEC Ex + ATEX, Insulation Class H						✓	✓		✓	
01B	INDIAN + ATEX, Insulation Class H		✓	✓			✓	✓		✓	
02	UL Recognised, for USA and Canada, Type 3, 3S, 4, 4X, 6, 6P UL file Number E 342217	✓							✓		
03	INMETRO + ATEX, Insulation Class H		✓	✓			✓	✓		✓	
03C	IEC Ex + ATEX + IN METRO + CuTR-EAC							✓		✓	
04	CuTR- EAC + ATEX , Insulation Class H		✓	✓			✓	✓		✓	
⑫ 07	KOSHA + ATEX, Insulation Class H							✓		✓	
08	Ukraine, Insulation Class H						✓	✓		✓	
⑳ CE	CE (Weatherproof Solenoid)	✓							✓		
⑳ EAC	EAC MARK	✓							✓		

**Note :**

- ① Do not specify when opted for
- ② Approval Other than BIS, CCOE/ PESO, DGMS
- ③ BIS, CCOE/ PESO, DGMS Approved coil
- ④ Opt FR from special
- ⑤ Current DC, 50Hz, 60Hz
- ⑦ Do not Opt for Enclosure Type 01, 06, 22, 25
- ⑧ Select Body Material SS316 (B5)
- ⑨ All variation of 17, 17-A, 37, 39, 58, 58LT, 62, 87, 87-A included
- ⑪ Enclosure type 17, 17-A, 17NS, 17NS-A, 87, 87-A 87MS, 87MS-A, 87NS, 87NS-A
- ⑫ Current DC
- ⑬ Ambient Temperature restricted for Enclosure type 17, 37, 39, 58, 58LT, 87, 62 to Solenoid Ambient Temperature
- ⑭ Select Nil or one Accessories from A1 to A6 for Valve and from B1 to B8 for Solenoid, and D1 from Port
- ⑮ IP 67 Certified by BIS, CCOE/ PESO, DGMS
- ⑰ Can not be opted for Enclosure Type 01, 06
- ⑱ Can be opted for Enclosure Type 01, 06, 16, 19, 22, 25
- ㉑ KOSHA certificate only for Enclosure Size II ≤ 20W
- ㉒ Do not Opt for Enclosure Type 01, 06, 22
- ㉓ Media Code shall be part of Ordering Code other than Default Media Type
- ㉔ For Solenoid type 25 with AC current supply, Use 50Hz with Special RC Option
- ㉕ For Intrinsically Safe Solenoid, LD (LED) can be opted with CCOE/PESO certification only

### ENTITY PARAMETER

Entity Parameter	
Ui	32V DC
Ii	230mA
Pi	2.3W
Ci	0
Li	0

### MINIMUM OPERATING PARAMETER

Type	62	62..LD..
Minimum Voltage (V)	11	12
Minimum Current (mA)	22	24
Minimum Power (W)	0.24	0.29
LED	NO	YES
Pressure (bar)	10	10

### RESPONSE ON TIME FOR SOLENOID TYPE 62, 62..LD..

Voltage (V)	10	11	12	14	18	22	24	26	30	32	Current (mA)	18.5	20	25	30
Current (mA)	20	22	24	28.5	37	45.5	49.7	54	63	67	Open Ckt Voltage (V)	19.5	19.5	19.5	19.5
Response Time (ms) ≤	4800	3800	2500	1600	850	650	450	400	250	250	Time (msec) ≤	5000	4000	2500	2000

**3/2 DIRECT ACTING NAMUR SOLENOID VALVE**

**MARKING Explosion Proof**

**ENCLOSURE TYPE 37/ 39**

SIZE	Power	BIS & PESO, DGMS	EAC - CuTR (Russia)	ATEX / INMETRO
I II IV	≤5W ≤8W ≤11W	Ex d IIC T6/T5 Gb, IP67 Ex tb IIIC T80°C/T95°C Db -40°C ≤ Ta ≤ 65°C FOR T6 -40°C ≤ Ta ≤ 70°C FOR T5	1 Ex d IIC T6/ T5/ T4 Gb IP66 Ex tb IIIC T80°C / T95°C / T130°C Db IP66 ИЛИ -40°C ≤ Ta ≤ 35°C FOR T6 -40°C ≤ Ta ≤ 50°C FOR T5 -40°C ≤ Ta ≤ 60°C FOR T4	Ex II 2G Ex d IIC T6/ T5/ T4 Gb IP66 Ex II 2D Ex tb IIIC T80°C / T95°C / T130°C Db IP66 -40°C ≤ Ta ≤ 35°C FOR T6 -40°C ≤ Ta ≤ 50°C FOR T5 -40°C ≤ Ta ≤ 60°C FOR T4 (Power ≤ 20W)
I II III	≤8W ≤13W ≤8W	Ex d IIC T6/T5 Gb, IP67 Ex tb IIIC T80°C/T95°C Db -40°C ≤ Ta ≤ 60°C FOR T6 -40°C ≤ Ta ≤ 70°C FOR T5		
III	≤15W	Ex d IIC T6/T5/T4 ≤Gb, IP67 Ex tb IIIC T80°C/T95°C/T130°C Db -40°C ≤ Ta ≤ 50°C FOR T6 -40°C ≤ Ta ≤ 65°C FOR T5 -40°C ≤ Ta ≤ 70°C FOR T4		
III IV	≤5W ≤5W	Ex d IIC T6 Gb, IP67 Ex tb IIIC T80°C Db -40°C ≤ Ta ≤ 70°C FOR T6		
II	≤20W	Ex d IIC T6/T5 Gb, IP67 Ex tb IIIC T80°C / T95°C Db -40°C ≤ Ta ≤ 55°C FOR T6 -40°C ≤ Ta ≤ 70°C FOR T5		
II	≤30W	Ex d IIC T6/T5/T4 Gb, IP67 Ex tb IIIC T80°C/T95°C/ T130°C Db -40°C ≤ Ta ≤ 40°C FOR T6 -40°C ≤ Ta ≤ 55°C FOR T5 -40°C ≤ Ta ≤ 70°C FOR T4		

**ENCLOSURE TYPE 87**

SIZE	Power	ATEX, IEC Ex, BIS & PESO, DGMS	INMETRO	EAC - CuTR (Russia) / UKRANE	KOSHA
III II IV	≤5W ≤8W ≤11W	Ex db IIC T6/T5/T4 Gb IP67 Ex tb IIIC T80°C/T95°C/T130°C Db IP67 -60°C ≤ Ta ≤ +65°C for T6 -60°C ≤ Ta ≤ +80°C for T5 -60°C ≤ Ta ≤ +100°C for T4	Ex db IIC T6/T5/T4 Gb Ex tb IIIC T85°C/T100°C/T135°C Db IP67 -60°C ≤ Ta ≤ +65°C for T6 -60°C ≤ Ta ≤ +80°C for T5 -60°C ≤ Ta ≤ +100°C for T4	1 Ex db IIC T6/T5/T4 Gb IP67 Ex tb IIIC T80°C/T95°C/T130°C Db ИЛИ -60°C ≤ Ta ≤ +65°C for T6 -60°C ≤ Ta ≤ +80°C for T5 -60°C ≤ Ta ≤ +100°C for T4	형식 또는 모델명 : 87, BCE 규격 또는 등급 : Ex d IIC T3-T6 제조자명 : Rotex Automation Limited 안전인증 번호 : 15-AV4BO-0000
III II	≤8W ≤13W	Ex db IIC T6/T5/T4 Gb IP67 Ex tb IIIC T80°C/T95°C/T130°C Db IP67 -60°C ≤ Ta ≤ +60°C for T6 -60°C ≤ Ta ≤ +75°C for T5 -60°C ≤ Ta ≤ +100°C for T4	Ex db IIC T6/T5/T4 Gb Ex tb IIIC T85°C/T100°C/T135°C Db IP67 -60°C ≤ Ta ≤ +60°C for T6 -60°C ≤ Ta ≤ +75°C for T5 -60°C ≤ Ta ≤ +100°C for T4	1 Ex db IIC T6/T5/T4 Gb IP67 Ex tb IIIC T80°C/T95°C/T130°C Db ИЛИ -60°C ≤ Ta ≤ +60°C for T6 -60°C ≤ Ta ≤ +75°C for T5 -60°C ≤ Ta ≤ +100°C for T4	
III	≤15W	Ex db IIC T6/T5/T4 Gb IP67 Ex tb IIIC T80°C/T95°C/T130°C Db IP67 -60°C ≤ Ta ≤ +50°C for T6 -60°C ≤ Ta ≤ +65°C for T5 -60°C ≤ Ta ≤ +100°C for T4	Ex db IIC T6/T5/T4 Gb Ex tb IIIC T85°C/T100°C/T135°C Db IP67 -60°C ≤ Ta ≤ +50°C for T6 -60°C ≤ Ta ≤ +65°C for T5 -60°C ≤ Ta ≤ +100°C for T4	1 Ex db IIC T6/T5/T4 Gb IP67 Ex tb IIIC T80°C/T95°C/T130°C Db ИЛИ -60°C ≤ Ta ≤ +50°C for T6 -60°C ≤ Ta ≤ +65°C for T5 -60°C ≤ Ta ≤ +100°C for T4	
IV	≤5W	Ex db IIC T6/T5/T4 Gb IP67 Ex tb IIIC T80°C/T95°C/T130°C Db IP67 -60°C ≤ Ta ≤ +70°C for T6 -60°C ≤ Ta ≤ +85°C for T5 -60°C ≤ Ta ≤ +100°C for T4	Ex db IIC T6/T5/T4 Gb Ex tb IIIC T85°C/T100°C/T135°C Db IP67 -60°C ≤ Ta ≤ +70°C for T6 -60°C ≤ Ta ≤ +85°C for T5 -60°C ≤ Ta ≤ +100°C for T4	1 Ex db IIC T6/T5/T4 Gb IP67 Ex tb IIIC T80°C/T95°C/T130°C Db ИЛИ -60°C ≤ Ta ≤ +70°C for T6 -60°C ≤ Ta ≤ +85°C for T5 -60°C ≤ Ta ≤ +100°C for T4	
II	≤20W	Ex db IIC T5/T4/T3 Gb IP67 Ex tb IIIC T95°C/T130°C/155°C Db IP67 -60°C ≤ Ta ≤ +45°C for T5 -60°C ≤ Ta ≤ +80°C for T4 -60°C ≤ Ta ≤ +100°C for T3	Ex db IIC T5/T4/T3 Gb Ex tb IIIC T100°C/T135°C/155°C Db IP67 -60°C ≤ Ta ≤ +45°C for T5 -60°C ≤ Ta ≤ +80°C for T4 -60°C ≤ Ta ≤ +100°C for T3	1 Ex db IIC T5/T4/T3 Gb IP67 Ex tb IIIC T95°C/T130°C/T155°C Db ИЛИ -60°C ≤ Ta ≤ +45°C for T5 -60°C ≤ Ta ≤ +80°C for T4 -60°C ≤ Ta ≤ +100°C for T3	
II	≤30W	Ex db IIC T4/T3 Gb IP67 Ex tb IIIC T130°C/T155°C Db IP67 -60°C ≤ Ta ≤ +60°C for T4 -60°C ≤ Ta ≤ +70°C for T3	Ex db IIC T4/T3 Gb Ex tb IIIC T135°C/T155°C Db IP67 -60°C ≤ Ta ≤ +60°C for T4 -60°C ≤ Ta ≤ +70°C for T3	1 Ex db IIC T4/T3 Gb IP67 Ex tb IIIC T130°C/T155°C Db ИЛИ -60°C ≤ Ta ≤ +60°C for T4 -60°C ≤ Ta ≤ +70°C for T3	



## 3/2 DIRECT ACTING NAMUR SOLENOID VALVE

### MARKING Explosion Proof

#### ENCLOSURE TYPE 58

SIZE	Power	CE-ATEX, Insulation H
I II IV	≤5W ≤8W ≤11W	Ex II 2GD Ex e mb IIC T6/ T5 IP67 Ex tb IIIC T6/ T5 IP67 -40° C ≤ Ta ≤ 65° C for T6 -40° C ≤ Ta ≤ 70° C for T5
I II III	≤8W ≤13W ≤8W	Ex II 2GD Ex e mb IIC T6/ T5 IP67 Ex tb IIIC T6/ T5 IP67 -40° C ≤ Ta ≤ 60° C for T6 -40° C ≤ Ta ≤ 70° C for T5
III	≤15W	Ex II 2GD Ex e mb IIC T6/ T5/ T4 IP67 Ex tb IIIC T6/ T5/ T4 IP67 -40° C ≤ Ta ≤ 50° C for T6 -40° C ≤ Ta ≤ 65° C for T5 -40° C ≤ Ta ≤ 70° C for T4
III IV	≤5W ≤5W	Ex II 2GD Ex e mb IIC T6 IP67 Ex tb IIIC T6 IP67 -40° C ≤ Ta ≤ 70° C for T6
II	≤20W	Ex II 2GD Ex e mb IIC T6/ T5 IP67 Ex tb IIIC T6/ T5 IP67 -40° C ≤ Ta ≤ 55° C for T6 -40° C ≤ Ta ≤ 70° C for T5
II	≤30W	Ex II 2GD Ex e mb IIC T6/ T5/ T4 IP67 Ex tb IIIC T6/ T5/ T4 IP67 -40° C ≤ Ta ≤ 40° C for T6 -40° C ≤ Ta ≤ 55° C for T5 -40° C ≤ Ta ≤ 70° C for T4

#### ENCLOSURE TYPE 58LT

SIZE	Power	CE-ATEX, Insulation H
I II IV	≤5W ≤8W ≤11W	Ex II 2GD Ex e mb IIC T6/ T5 IP67 Ex tb IIIC T6/ T5 IP67 -60° C ≤ Ta ≤ 65° C for T6 -60° C ≤ Ta ≤ 70° C for T5
I II III	≤8W ≤13W ≤8W	Ex II 2GD Ex e mb IIC T6/ T5 IP67 Ex tb IIIC T6/ T5 IP67 -60° C ≤ Ta ≤ 60° C for T6 -60° C ≤ Ta ≤ 70° C for T5
III	≤15W	Ex II 2GD Ex e mb IIC T6/ T5/ T4 IP67 Ex tb IIIC T6/ T5/ T4 IP67 -60° C ≤ Ta ≤ 50° C for T6 -60° C ≤ Ta ≤ 65° C for T5 -60° C ≤ Ta ≤ 70° C for T4
III IV	≤5W ≤5W	Ex II 2GD Ex e mb IIC T6 IP67 Ex tb IIIC T6 IP67 -60° C ≤ Ta ≤ 70° C for T6
II	≤20W	Ex II 2GD Ex e mb IIC T6/ T5 IP67 Ex tb IIIC T6/ T5 IP67 -60° C ≤ Ta ≤ 55° C for T6 -60° C ≤ Ta ≤ 70° C for T5
II	≤30W	Ex II 2GD Ex e mb IIC T6/ T5/ T4 IP67 Ex tb IIIC T6/ T5/ T4 IP67 -60° C ≤ Ta ≤ 40° C for T6 -60° C ≤ Ta ≤ 55° C for T5 -60° C ≤ Ta ≤ 70° C for T4

#### ENCLOSURE TYPE 62

Enclosure	ATEX/ IECEx (Eurpoe)/ INMETRO/ CEPTEL (Brazil)	EAC - CuTR (Russia)	BIS & PESO, DGMS
Al Cast	Ex ia IIC T5 Ga (-60°C≤Ta≤+75°C) Ex ia IIC T6 Ga (-60°C≤Ta≤+60°C) Ex ia IIIC T2oo 125°C IP67 Da (-60°C≤Ta≤+75°C)	0 Ex ia IIC T5 Ga IP67 (-60°C≤Ta≤+75°C) 0 Ex ia IIC T6 Ga IP67 (-60°C≤Ta≤+60°C) 0 Ex ia IIIC T2oo 125°C IP67 Da (-60°C≤Ta≤+75°C)	Ex ia I/IIC T5, IP67 (-40°C≤Ta≤75°C) Ex ia I/IIC T6, IP67 (-40°C≤Ta≤60°C)
SS Cast	Ex ia IIC T5 Ga (-60°C≤Ta≤+75°C) Ex ia IIC T6 Ga (-60°C≤Ta≤+60°C) Ex ia IIIC T2oo 125°C IP67 Da (-60°C≤Ta≤+75°C) Ex ia I Ma (-60°C≤Ta≤+75°C)	0 Ex ia IIC T5 Ga IP67 (-60°C≤Ta≤+75°C) 0 Ex ia IIC T6 Ga IP67 (-60°C≤Ta≤+60°C) 0 Ex ia IIIC T2oo 125°C IP67 Da (-60°C≤Ta≤+75°C) PO Ex ia I Ma (-60°C≤Ta≤+75°C) (ТОЛЬКО СТАЛЬ) ИЛИ	
<b>Ukraine</b>			
Al Cast	0 Ex ia IIC T5 X -60°C≤Ta≤+75°C 0 Ex ia IIC T6 X -60°C≤Ta≤+60°C		
SS Cast	PO Ia X -60°C≤Ta≤+75°C (ДЛЯ варіанта у сталюму корпусі) 0 Ex ia IIC T5 X -60°C≤Ta≤+75°C 0 Ex ia IIC T6 X -60°C≤Ta≤+60°C		

### MARKING Weather Proof

#### ENCLOSURE TYPE 17

US & Canada (UL Recognised)
TYPE 3, 3R, 3S, 4, 4X, 6 & 6P -60°C to +100°C POWER ≤20W -60°C to +60°C 20W< POWER ≤30W



**3/2 DIRECT ACTING NAMUR SOLENOID VALVE**

⑭ ACCESSORIES		
	CODE	DESCRIPTION
	①※	NIL
	A1	NRV Metallic Dust cap SS316, ideally suited for Protecting Valve internals from external Environment (Ambient Temperature - 60 °C to 150 °C), Water, Snow, Bugs, etc.
	A3	Silencer Sintered Bronze
	A4	Silencer Sintered SS
	A5	Dust Cap (Ambient Temperature - 20 °C to 80 °C)
	A6	NRV Dust cap Nylon, ideally suited for preventing external Environmental Media/ Water/ Liquid entering in the valve. Supplied only for 1/4" BSP/ NPT (Ambient Temperature - 20 °C to 80 °C)
	①※	NIL
	D1	Spacer Plate
	①※	NIL
	B1	Weather Proof Cable Gland M20X1.5(M) Brass
	B5	ATEX Approved Cable Gland (Plastic) M20X1.5(M) (Ambient Temperature - 20 °C to 80 °C)
	B6	ATEX Approved Cable Gland (BRASS) M20X1.5(M) (Ambient Temperature - 20 °C to 80 °C)
	B7	ATEX Approved Cable Gland (SS316) M20X1.5(M) (Ambient Temperature - 20 °C to 80 °C)
	B8	Weather Proof Cable gland M20X1.5(M) (Plastic)
	B3	Explosion Proof Double Compression Cable Gland (BRASS) 1/2" NPT(M) (Ambient Temperature - 20 °C to 80 °C), CCOE/ PESO Certified
	B4	Explosion Proof Double Compression Cable Gland (SS316) 1/2" NPT(M) (Ambient Temperature - 20 °C to 80 °C), CCOE/ PESO Certified

VALVE

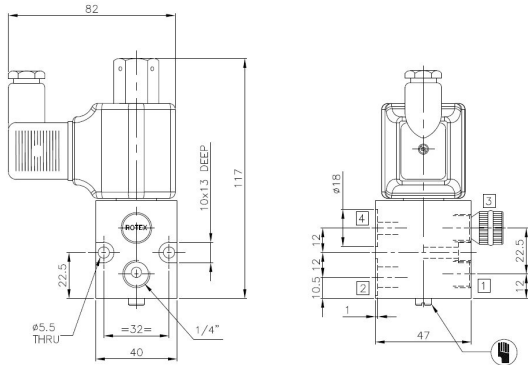
PORT

SOLENOID

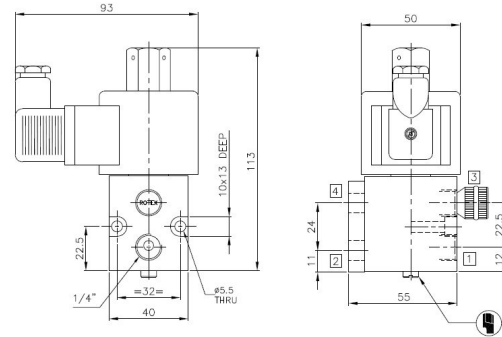
## 3/2 DIRECT ACTING NAMUR SOLENOID VALVE

### DIMENSIONS

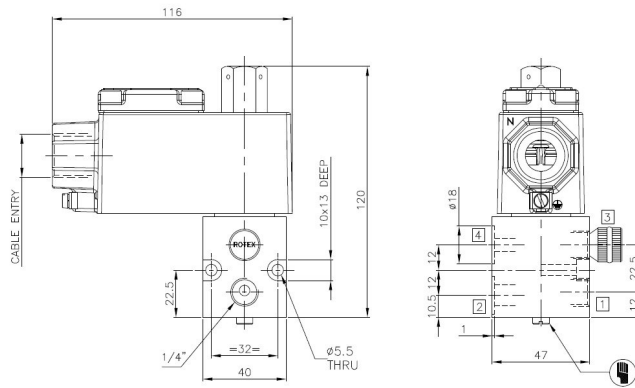
All Dimensions are in mm



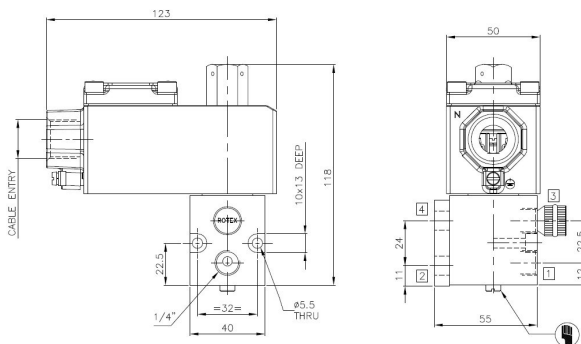
Valve Type	30318
Orifice	5
Solenoid Model	22
Solenoid Size	I



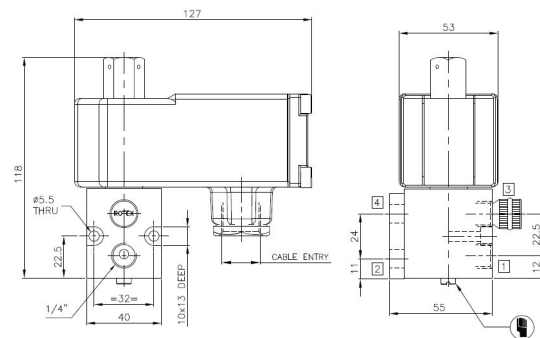
Valve Type	30318, 30318LA
Orifice	5
Solenoid Model	25
Solenoid Size	III



Valve Type	30318
Orifice	5
Solenoid Model	16, 19, 37, 39, 58, 58LT
Solenoid Size	I



Valve Type	30318, 30318LA
Orifice	5
Solenoid Model	16, 19, 37, 39, 58, 58LT
Solenoid Size	III



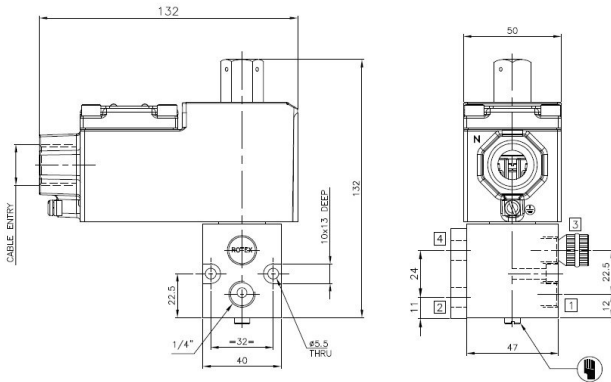
Valve Type	30318, 30318LA
Orifice	5
Solenoid Model	17, 17A, 87, 87A
Solenoid Size	III

**SERIES : 32D**

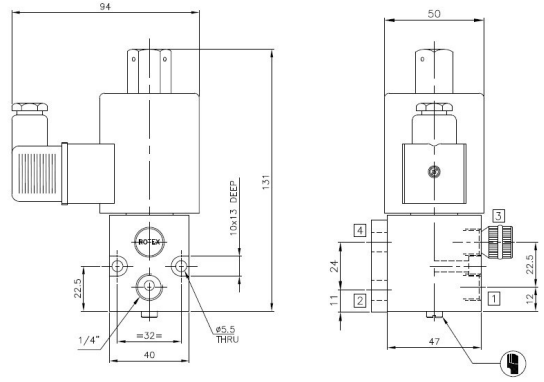
**3/2 DIRECT ACTING NAMUR SOLENOID VALVE**

**DIMENSIONS**

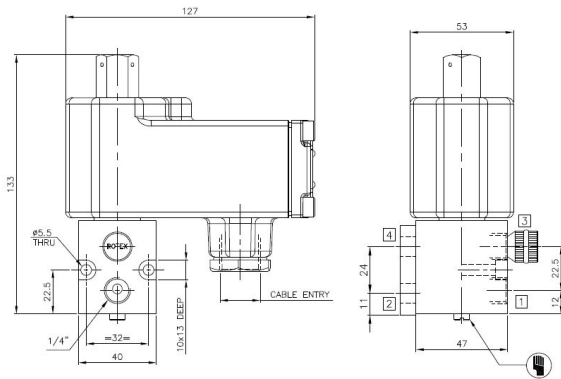
All Dimensions are in mm



Valve Type	30318LW
Orifice	5
Solenoid Model	16, 19, 37, 39
Solenoid Size	IV



Valve Type	30318LW
Orifice	5
Solenoid Model	25
Solenoid Size	IV



Valve Type	30318LW
Orifice	5
Solenoid Model	17, 87
Solenoid Size	IV



## **ROTEX AUTOMATION LIMITED**

### **SALES HQ**

B/703/704, Western Edge-II,  
Off Western Express Highway,  
Borivali (East), Mumbai-400066  
Ph: +91 22 42111444  
Fax: +91 22 42111400

### **OVERSEAS:**

Bier Straat 117  
3011 XA  
Rotterdam  
The Netherlands  
Phone : +31 88 505 35 05  
Email : [info@rotexcontrols.nl](mailto:info@rotexcontrols.nl)

### **WORKS**

#### **UNIT 1**

987/11, GIDC Makarpura,  
Vadodara - 390010, Gujarat, INDIA.  
Ph. : +91 265 2638136/ 2638795/ 46  
Fax : +91 265 2638130

#### **UNIT 2**

C - 1 B/ 1501, 4 & 5, GIDC  
Vithal Udyognagar - 388121,  
Gujarat, INDIA.  
Ph. : +91 2692 236224/ 236292/ 236399  
Fax : +91 2692 236442