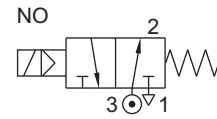


3/2 NORMALLY OPEN SOLENOID VALVE FOR AIR BLASTER OPERATION

| TYPE | PRESSURE |
|------|----------|
| | |
| | |
| | |

| TYPE | PRESSURE |
|------|----------|
| | |
| | |
| | |

| TYPE | PRESSURE |
|------|------------|
| 3068 | 2 - 10 bar |
| | |
| | |



FEATURES

- Bubble tight shut off
- Mounts in any position
- Vibration resistance up to 9g
- Suitable for high speed cycling
- Speed up to 600 cycles/ min
- Life >10 million cycles



WETTED PARTS

| | | | |
|----------------|-----------------------------|-----------------|--------|
| Body | Anodized Aluminium | Plunger, Insert | SS 430 |
| Internals | Aluminium, Brass and SS 316 | Spring | SS 302 |
| Guide Assembly | SS 304 | Seat, Seals | NBR |
| Shadow-Ring | Copper | Fastener | SS 304 |

SPECIFICATION

| | |
|-----------------------|--------------------------------|
| Valve Type | 3/2 Internal Pilot Operated NO |
| Body Material | Aluminium |
| Orifice | 7 |
| Port Connection | Sub Base |
| Media | Air |
| Pressure | 2 - 10 bar |
| Seal | NBR |
| Coil Voltage, Current | - |
| Enclosure | Weather Proof Flying lead IP54 |
| Application | - |
| Model | - |

OPTION

| | |
|----------------------|---------------|
| Body Material | - |
| Orifice | - |
| Connection | - |
| Media | - |
| Seal | EPDM/ Viton |
| Voltage | Any |
| Current | Any |
| Enclosure | Weather Proof |
| Solenoid Size | 14 |
| Extended Application | - |

AMBIENT TEMPERATURE

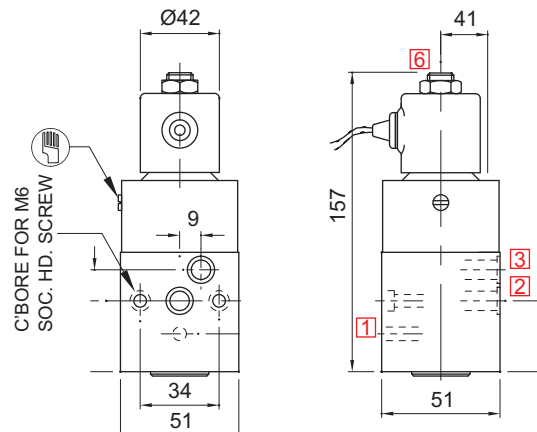
-30 °C to 75 °C

FLUID TEMPERATURE

-30 °C to 75 °C

DIMENSIONS

All Dimensions are in mm



PORT CONNECTION

| FUNCTION | INLET | OUTLET | EXHAUST | PILOT EXHAUST |
|----------|-------|--------|---------|---------------|
| NO | 3 | 2 | 1 | 6 |
| | | | | |
| | | | | |

Contact Rotex for any other ambient, fluid temperature, media and application.

