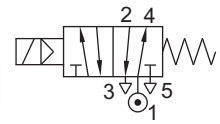


SERIES : 32P

5/2 PILOT OPERATED, SINGLE/ DOUBLE SOLENOID, SUBBASE MOUNTED VALVE

TYPE	PRESSURE

TYPE	PRESSURE
51400	2 - 10 bar



FEATURES

- Bubble tight shut off
- Mounts in any position
- Vibration resistance up to 9g
- Suitable for high speed cycling
- Speed up to 1000 cycles/ min for 51400 others 500 cycles/ min
- Life >10 million cycles
- O Rings and fasteners supplied loose with the valve



WETTED PARTS

Code	※	B1	B5
Body	Anodized Aluminium	Anodized Aluminium	SS 316
Internals	Aluminium, Brass and SS 316	SS 316	SS 316
Guide Assembly	SS 304		
Shadow-Ring	Copper/ Silver/ None		
Plunger, Insert	SS 430		
Spring/ Circlip	SS 302/ Steel		
Fasteners	SS 304		
Seat, Seals	NBR, Viton, F. Silicon		

※ Do not specify code if opted for. Refer Page # 22 for Value of ※

AMBIENT AND FLUID TEMPERATURE

-30 °C to 75 °C

SPECIAL VERSION AND SUFFIX

Suffix :(Valve) OX, AM
Special version : (Solenoid) CO, FR, SS, LC, III

MEDIA

Air, Inert Gases

APPLICATION

Operation of double acting cylinder/ actuator

PORT CONNECTION

INLET	OUTLET	OUTLET	EXHAUST	EXHAUST	PILOT EXHAUST
1	2	4	3	5	6

Contact Rotex for

- Any other ambient, fluid temperature, media and application
- UL listed, Listed general purpose Valve
- Media like Water, Light Oil etc.

SPARES

(Refer page 25 for ordering code)

SPARE KIT	CODE
Seal Kit : Oring Set and Plunger Assembly	98
Repair Kit : Oring Set, Plunger Assembly, Fastener, Springs, Manual Override, Guide Assembly, Piston Kit	99
Solenoid Kit : Solenoid, Gasket and Nut	34

APPROVAL

(※ applied for)

Approval	TYPE 4X, 6P	IP67	Ex d IIC T4 or T5 or T6 IP66	Ex ia IIC T6 IP67	DGMS	CCOE
		✓	✓	✓	✓	✓
CE		✓	✓	✓		
UL	✓		*			
			✓	✓		
ERC			✓	✓		
			✓	✓		



The pressure drop at inlet port causes malfunction of the Valve. All equipment connected the header and the inlet port should have a higher orifice compared to the solenoid Valve.
Select Manifold MF003/ MF004/ MF010/ MF013
Electrical failure Stayput, Air failure to reset. Applicable for 57424.



5/2 PILOT OPERATED, SINGLE/ DOUBLE SOLENOID, SUBBASE MOUNTED VALVE

9

SPECIFICATION

PORT CONNECTION	PRE-SSURE bar	MINIMUM	MAXIMUM	ORIFICE (mm)	FLOW FACTOR Kv (LPM OF WATER @ 1 bar ΔP)	VALVE TYPE	PILOT PRESSURE	BODY MATERIAL AND INTERNALS					SEALS				MANUAL OVERRIDE		SOLENOID ENCLOSURE		SUFFIX		POWER VA		CONSTRUCTION REFERENCE NUMBER
								ALUMINIUM	ALUMINIUM + SS	BRASS	SS 316	NBR	Viton	EPDM	HYTREL	F. Silicon	NIL	STAYPUT CUM MOMENTARY	MOMENTARY	FLYING LEAD	PLUG IN, IP67	SQ. PLUG IN, IP67	TERMINAL BOX IP67	EXPLOSION PROOF IIC, IP67	

5/2 SINGLE SOLENOID VALVE

SB	2	10	6	12	51400		*	B5	*	S2		S19	M0	*	M8	F	22	25	T	E	III	14	✓	✓	18	12	8	720
----	---	----	---	----	-------	--	---	----	---	----	--	-----	----	---	----	---	----	----	---	---	-----	----	---	---	----	----	---	-----

5/2 DOUBLE SOLENOID VALVE

--	--	--	--	--	--	--	--	--	--	--	--	--	--	--	--	--	--	--	--	--	--	--	--	--	--	--	--	--	--

SOLENOID 14

Cable Entry	T	ÖcA	E	ÖcA	ÖcA
M20 x 1.5	FJ	FITÜ	H	ITÜ	ITÜ
M25 x 1.5	F	ITÜ	H	ITÜ	ITÜ
1/2" NPT	F	ITÜ	H	ITÜ	ITÜ

F	✓
Flying lead IP54	*
Flying lead IP67	01

* = Do not specify when opted for. Refer Page # 22 for Value of *
✓ = Options available

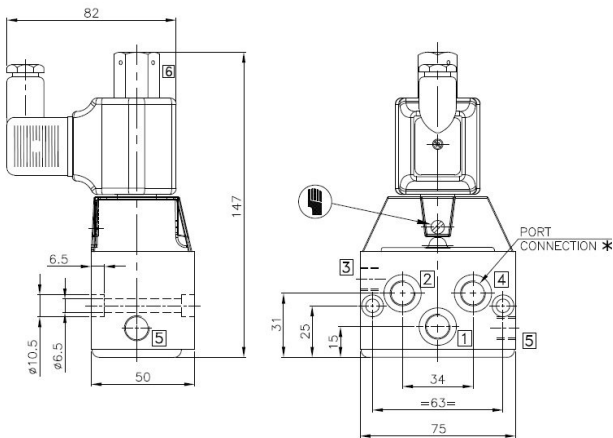
ORDERING CODE AND EXAMPLE VALVE + SOLENOID

TYPE - SUFFIX - ORIFICE - PORT CONNECTION - BODY AND INTERNALS - MANUAL OVERRIDE - SEAL - MEDIA + SIZE - VOLTAGE - CURRENT - SOLENOID ENCLOSURE - SPECIAL VERSION - POWER - INSULATION - APPROVAL
e.g. 51400-6-SB+I-24V DC-22-H

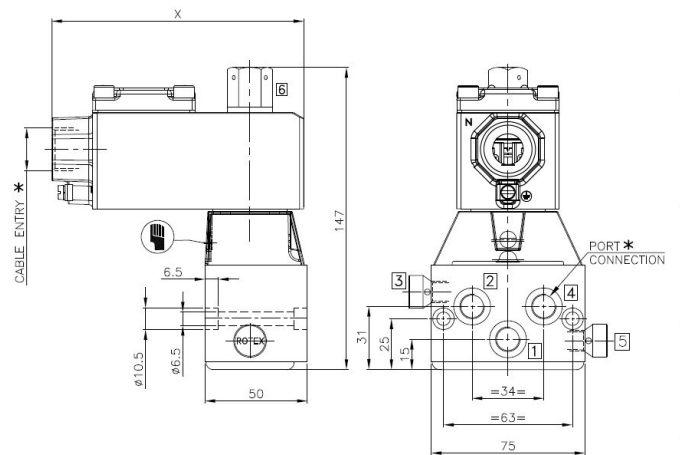
DIMENSIONS

All Dimensions are in mm

CONSTRUCTION REFERENCE : 720



PLUG IN SOLENOID TYPE 22/ 25



TERMINAL BOX/ Ex d LARGE ENCLOSURE, TYPE 16, 19, 37, 39, 58, 58LT

