

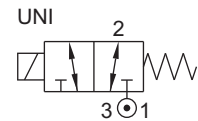
SERIES : 32D

3/2 UNIVERSAL, TAMPER PROOF, MANUAL RESET SOLENOID VALVE

TYPE	PRESSURE

TYPE	PRESSURE

TYPE	PRESSURE
M3015	0 - 10 bar



FEATURES

- Bubble tight shut off
- Mounts in any position
- Suitable for Vacuum up to 10⁻⁶ torr
- Vibration resistance up to 9g
- Suitable for high speed cycling
- Life >10 million cycles

WETTED PARTS

Code		B2	B5
Body		Brass	SS 316
Internals		Brass and SS 316	SS 316
Guide Assembly	SS 304		
Shadow-Ring	None		
Plunger, Insert	SS 430		
Spring	SS 302		
Seat, Seals	NBR, Viton GLT, F. Silicon		
Fasteners	SS 304		

AMBIENT AND FLUID TEMPERATURE

-30 °C to 75 °C

SPECIAL VERSION AND SUFFIX

Suffix (valve) AM
Special version : (Solenoid) CO, FR, SS

MEDIA

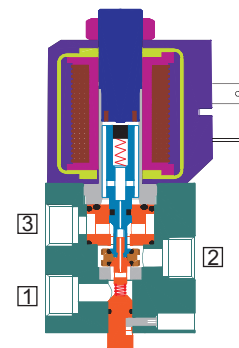
Air, Inert Gases, Water, Vacuum, Free Flowing Liquids, Oil, Diesel, Kerosene, LPG

PORT CONNECTION

FUNCTION	INLET	OUTLET	EXHAUST
NC	1	2	3

Contact Rotex for

- Any other ambient, fluid temperature, media and application
- UL listed, Listed general purpose Valve



SPARES

(Refer page 25 for ordering code)

SPARE KIT	CODE
Seal Kit : Oring Set and Plunger Assembly	98
Repair Kit : Oring Set, Plunger Assembly, Fastener, Springs, Manual Reset Lever, Guide Assembly, Piston Kit	99
Solenoid Kit : Solenoid, Gasket	34

APPROVAL

(* applied for)

Approval	TYPE 4X, 6P	IP67	Ex d IIC T4 or T5 or T6 IP66	Ex ia IIC T6 IP67	DGMS	CCOE
		✓	✓		✓	✓
CE		✓	✓			
UL	✓		*			
			✓			
EAC			✓			
			✓			

APPLICATION

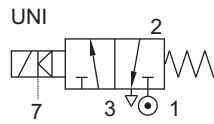
Valve cannot be operated electrically or manually, Valve can only be operated when electrical supply to the solenoid is available and then operated manually. Valve can be switched OFF when power to the solenoid is removed.

For Valve type M3015 operated with AC voltage, select Solenoid with inbuilt full rectifier 'FR' option
Add Suffix SL for Ordering SIL capable Certified valve.
OIL Media Temperature Restricted from 0 °C to 100 °C

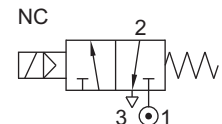


3/2 NC, TAMPER PROOF, MANUAL RESET SOLENOID VALVE

TYPE	PRESSURE
M3016	0 - 8 bar



TYPE	PRESSURE
M3014	2 - 10 bar



FEATURES

- Bubble tight shut off
- Mounts in any position
- Vibration resistance up to 9g
- Life >10 million cycles

WETTED PARTS

Code		B2	B5
Body		Brass	SS 316
Internals		Brass and SS 316	SS 316
Guide Assembly	SS 304		
Shadow-Ring	Copper/ Silver/ None		
Plunger, Insert	SS 430		
Spring	SS 302		
Seat, Seals	NBR, Viton, F. Silicon		
Fasteners	SS 304		



SPARES

(Refer page 25 for ordering code)

SPARE KIT	CODE
Seal Kit : Oring Set and Plunger Assembly	98
Repair Kit : Oring Set, Plunger Assembly, Fastener, Springs, Manual Reset Lever, Guide Assembly, Piston Kit	99
Solenoid Kit : Solenoid, Gasket	34

AMBIENT AND FLUID TEMPERATURE

-30 °C to 75 °C

SPECIAL VERSION AND SUFFIX

Suffix (valve) AM
Special version : (Solenoid) CO, FR, SS

MEDIA

Air, Inert Gases, Water

PORT CONNECTION

FUNCTION	INLET	OUTLET	EXHAUST	PILOT EXHAUST	PILOT INLET
NC	1	2	3	6	-
UNI	1 OR 3	2	3 OR 1	6	7

Contact Rotex for
• Any other ambient, fluid temperature, media and application

APPROVAL

(★ applied for)

Approval	TYPE 4X, 6P	IP67	Ex d IIC T4 or T5 or T6 IP66	Ex ia IIC T6 IP67	DGMS	CCOE
		✓	✓	✓	✓	✓
CE		✓	✓	✓		
UL	✓		*			
			✓	✓		
EAC			✓	✓		
			✓	✓		

APPLICATION

Valve cannot be operated electrically or manually, Valve can only be operated when electrical supply to the solenoid is available and then operated manually. Valve can be switched OFF when power to the solenoid is removed.



3/2 TAMPER PROOF, MANUAL RESET SOLENOID VALVE

SPECIFICATION

SIZE	PORT CONNECTION	PRE-SURE bar		ORIFICE (mm)	FLOW FACTOR kv (LPM OF WATER @ 1 bar ΔP)	VALVE TYPE	PILOT PRESSURE	BODY MATERIAL AND INTERNALS				SEALS				MANUAL OVERRIDE	SOLENOID ENCLOSURE		SUFFIX		POWER VA							
		MINIMUM	MAXIMUM					ALUMINIUM	ALUMINIUM + SS	BRASS (STD. PORT NPT)	SS 316	(STD. PORT NPT)	NBR	Viton	EPDM		Viton GLT	F.Silicon	NIL	STAYPUT CUM MOMENTARY	MOMENTARY	FLYING LEAD	PLUG IN, IP67	SQ. PLUG IN, IP67	TERMINAL BOX IP67	EXPLOSION PROOF IIC, IP67	LARGE ENCLOSURE	SOLENOID SIZE
3/2 NORMALLY CLOSED																												
1/4"	2G	2R	2	10	6	12	M3014			B2	B5		S2		S19					T	E	14				18	12	8
3/8"	3G	3R	2	10	10	38	M3014			B2	B5		S2		S19					T	E	14				18	12	8
1/2"	4G	4R	2	10	10	38	M3014			B2	B5		S2		S19					T	E	14				18	12	8
			2	10	16	75	M3014			B2	B5		S2		S19					T	E	14				18	12	8
3/2 UNIVERSAL																												
1/4"	2G	2R	0	10	5	8	M3015			B2	B5	×		S2G	S19					T	E	14			2	2	2	
			0	8	7	18	M3016	2-8		B2	B5		S2		S19						T	E	14			18	12	8
1/2"	4G	4R	0	10	5	8	M3015			B2	B5	×		S2G	S19					T	E	14			2	2	2	
			0	8	16	80	M3016	2-8		B2	B5		S2		S19						T	E	14			18	12	8

Cable Entry	T	Öc/a	Öc/b	Öc/c	Öc/d	E			
M20 x 1.5	FJ	HJ	II	TÜ	II	TÜ	II	SV	TÜ
M25 x 1.5			II	II	II	II	II	SV	
1/2" NPT	Fj	Hj	ii	bü	ii	bü	ii	sv	bü

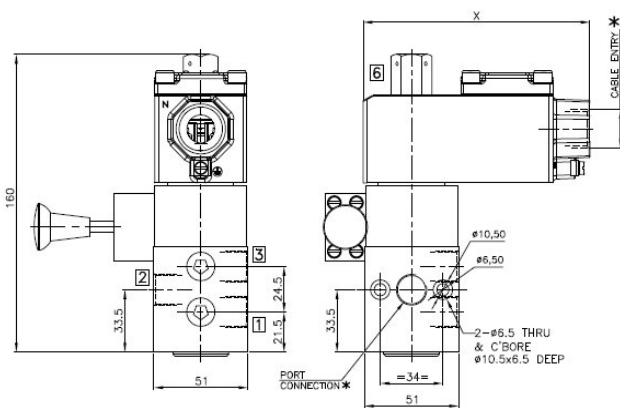
× = Do not specify when opted for. Refer Page # 22 for Value of ×
✓ = Options available

DIMENSIONS

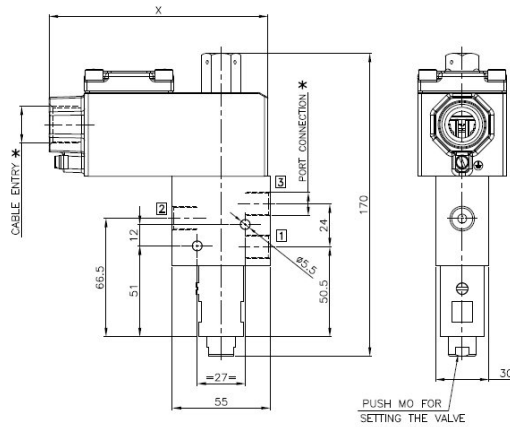
All Dimensions are in mm

For Valve Type M3014 and M3016

Port 7 only for Valve Type M3016



For Valve Type M3015



TERMINAL BOX/ Ex d LARGE ENCLOSURE, TYPE 16, 19, 37, 39, 58, 58LT, LC

K (PORT SIZE)	A	B	C	DP	DT	E	F	G	H	J	LP	LT	M	M	O	CONST. REF.
VALVE TYPE : M3014, M3016																
1/4"	51	51	160		97	26	34	34	34	M6	50	12	12	73	-	
3/8"	61	61	172		97	31	34	36	36	M6	50	14	14	83	-	
1/2"	81	81	194		97	41	50	48	48	M6	50	18	18	103	-	

TERMINAL BOX/ Ex d LARGE ENCLOSURE, TYPE 16, 19, 37, 39, 58, 58LT, LC

K (PORT SIZE)	A	B	C	DP	DT	E	F	G	H	ØJ	K	LP	LT	M	N	CONST. REF.
VALVE TYPE : M3015																
1/4"	55	30	162		97	27	27	51	67	6	12	50	51	24	-	

